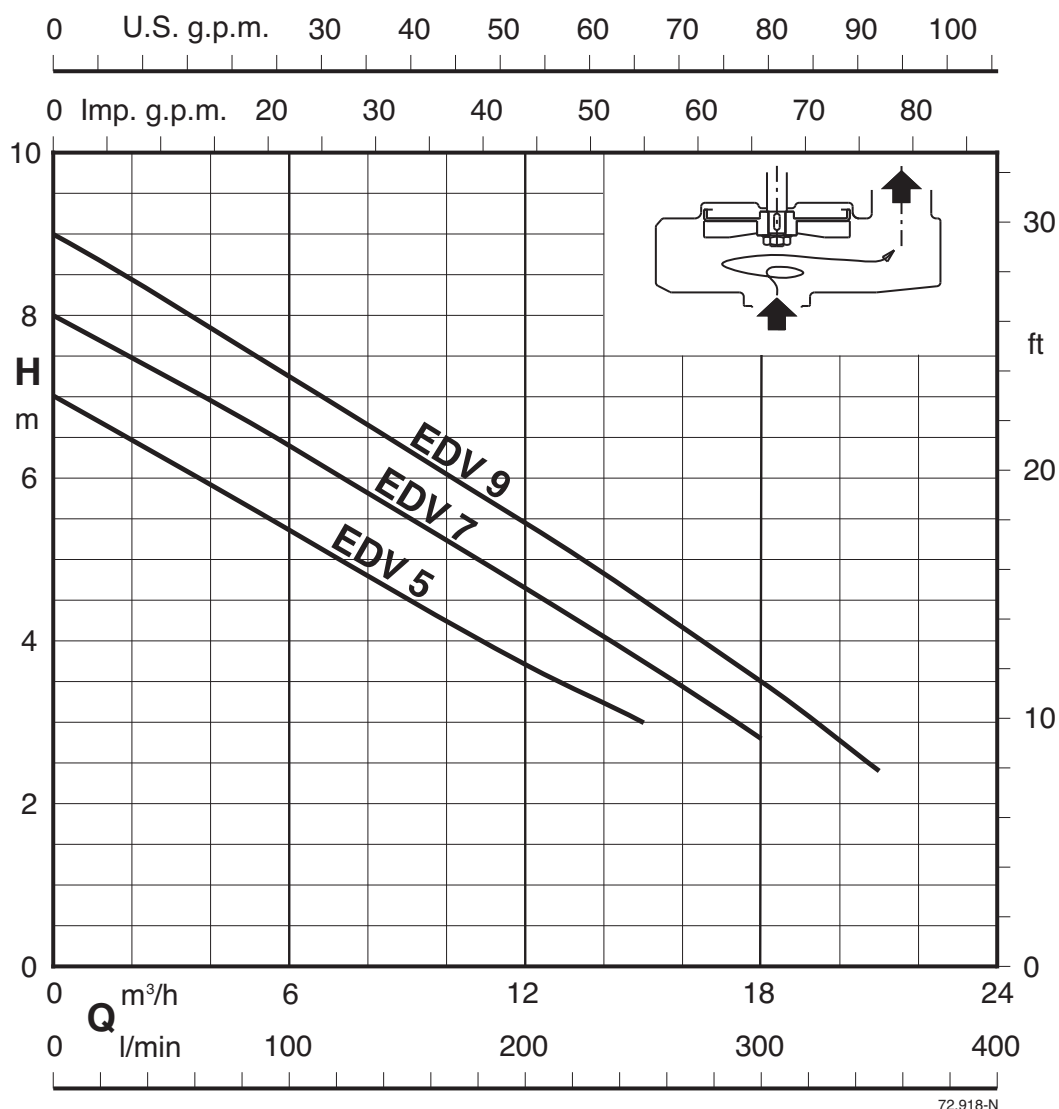


## Performance curves n ≈ 2900 rpm



72.918-N

## Performances n ≈ 2900 rpm

3~	230V - 400V		1~	230V	Capacitor		P <sub>1</sub>	P <sub>2</sub>		Q = DELIVERY											
	A	A			A	μf		Vc	kW	kW	HP	l/min 0	50	100	150	200	250	300	350	400	433
										m³/h 0	3	6	9	12	15	18	21	24	26	H = TOTAL HEAD METERS COLUMN OF WATER	
EDV5T	2,8	1,6	EDV5	4,6	16	450	1	0,55	0,75	7	6,2	5,4	4,6	3,7	3	-	-	-	-		
EDV7T	3,8	2,2	EDV7	5,4	25	450	1,1	0,75	1	8	7,2	6,4	5,5	4,6	3,7	2,8	-	-	-		
EDV9T	4	2,3	EDV9	6	25	450	1,3	0,9	1,2	9	8,1	7,2	6,3	5,4	4,5	3,5	2,4	-	-		

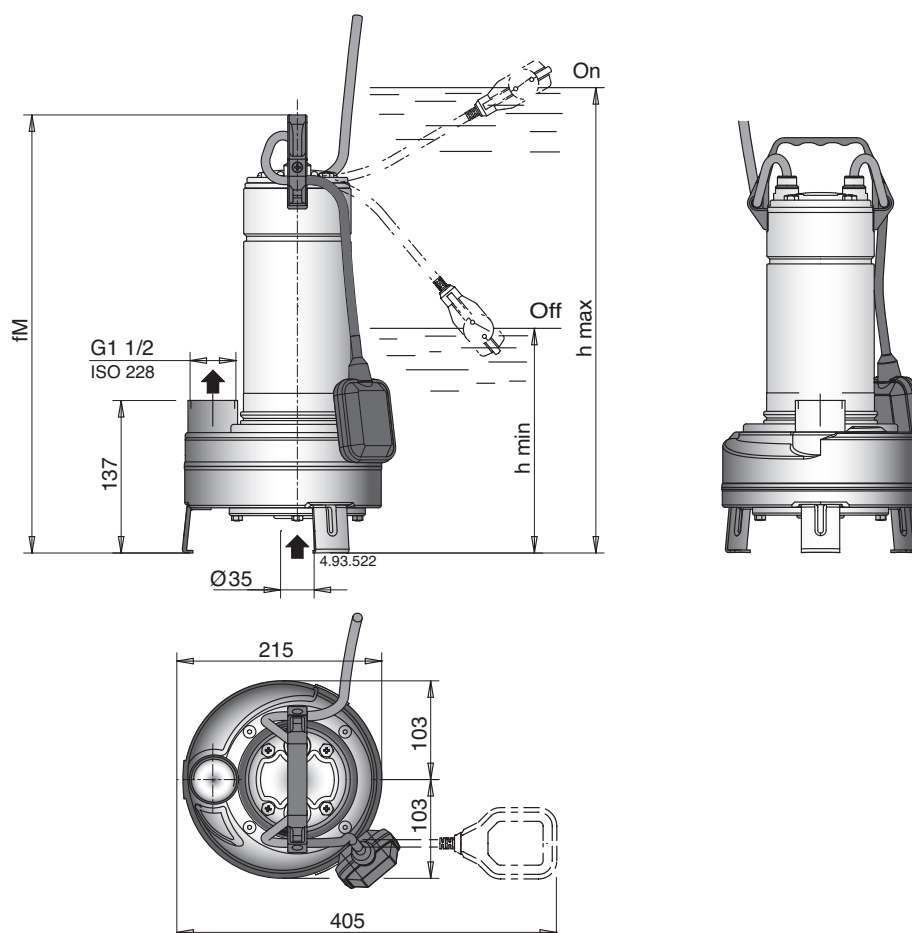
P<sub>1</sub> Max. power input.

P<sub>2</sub> Rated motor power output.

Density ρ = 1000 kg/m<sup>3</sup>.

Kinematic viscosity ν = max 20 mm<sup>2</sup>/sec.

## Dimensions and weights



TYPE	mm			kg	
	fM	h max	h min	EDV(T)	EDV
EDV5(T)	433	508	248	10,3	12
EDV7(T)	458	533	273	12,5	14
EDV9(T)	458	533	273	12,5	14

## Materials

COMPONENT	MATERIAL
Pump casing	Chrome-nickel steel 1.4301 EN 10088 (AISI 304)
Casing cover	Chrome-nickel steel 1.4301 EN 10088 (AISI 304)
Impeller	Chrome-nickel steel 1.4301 EN 10088 (AISI 304)
Motor jacket	Chrome-nickel steel 1.4301 EN 10088 (AISI 304)
Jacket cover	Chrome-nickel steel 1.4301 EN 10088 (AISI 304)
Handle	Polypropylene (with frame in AISI 304)
Shaft	Chrome-nickel steel 1.4301 EN 10088 (AISI 304)
Mechanical seal upper	Ceramic alumina/Carbon/hBR
Mechanical seal lower	Ceramic alumina/Carbon/hBR
Seal lubrication oil	Oil for food/pharmaceutical machinery