

EH 15 - TECHNICAL DATA

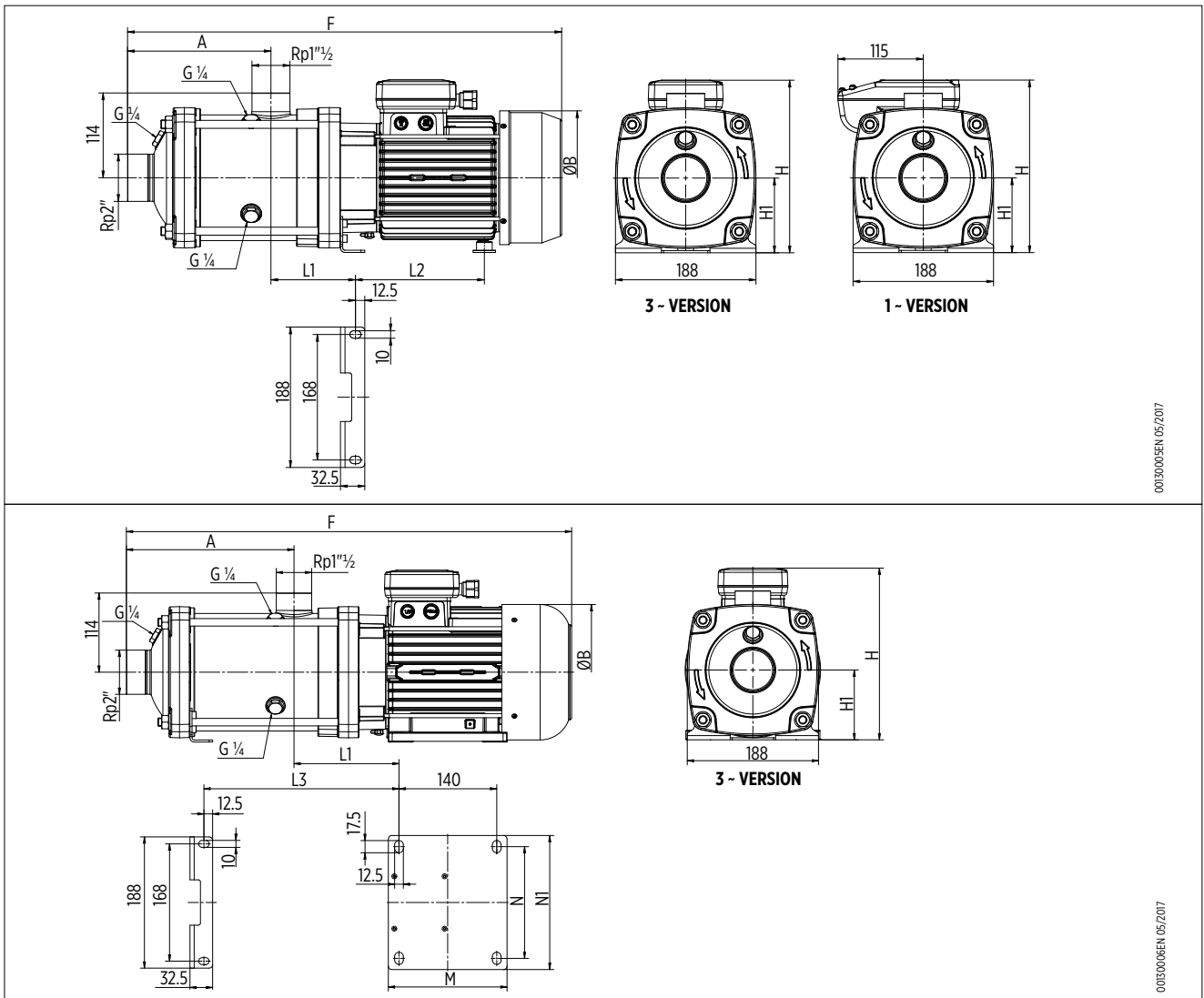
1 ~ ELECTRIC PUMP TECHNICAL DATA

Pump model	Motor size	MOTOR NOMINAL POWER		INPUT POWER [kW]	Capacitor 450V μ F	INPUT CURRENT [A] 220-240 V	Dimensions [mm]										Weight [Kg]	
		[kW]	[HP]				A	F	\varnothing B	H	H1	L1	L2	L3	M	N		N1
EH 15/2	80	1.5	2	1.63	30	7.7	144	488	162	224	100	113	129	-	-	-	-	20.2
EH 15/3	90	2.2	3	2.74	60	12.1	144	533	179	231	100	113	173	-	-	-	-	25.4

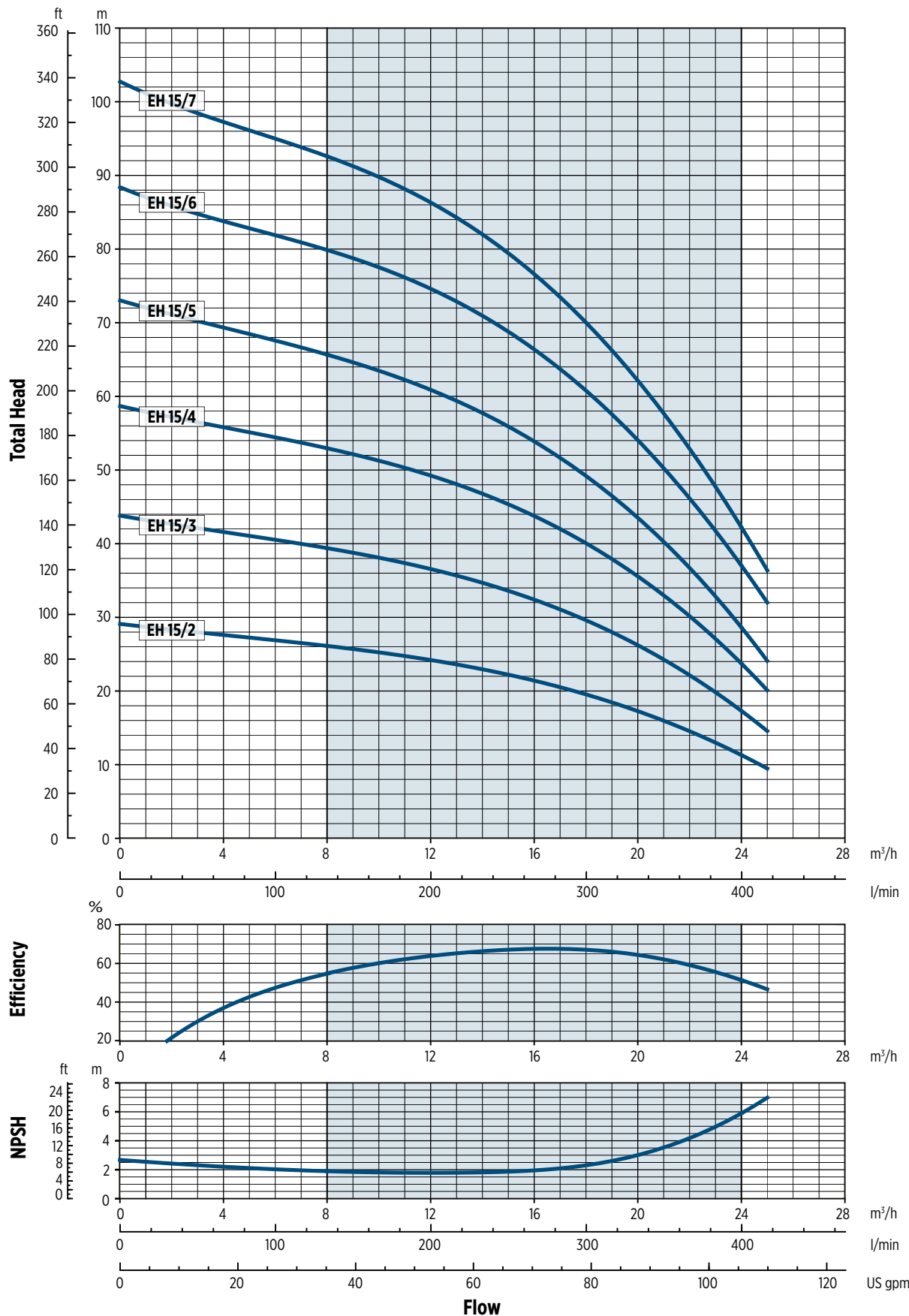
3 ~ ELECTRIC PUMP TECHNICAL DATA

Pump model	Motor size	MOTOR NOMINAL POWER		INPUT POWER [kW]	INPUT CURRENT [A]			Dimensions [mm]										Weight [Kg]	
		[kW]	[HP]		220-240 V	380-415 V	660-690 V	A	F	\varnothing B	H	H1	L1	L2	L3	M	N		N1
EH 15/2T	80	1.5	2	1.60	5.3	3.0	-	144	485	162	224	100	113	129	-	-	-	-	18.8
EH 15/3T	90	2.2	3	2.45	7.8	4.5	-	144	532	179	231	100	113	173	-	-	-	-	24.4
EH 15/4T	90	3	4	3.28	9.9	5.7	-	192	615	179	231	100	113	173	-	-	-	-	28.6
EH 15/5T	100	4	5.5	4.09	-	7.0	4.1	240	670	194	246	100	150	-	279	170	160	192	37
EH 15/6T	112	5.5	7.5	4.95	-	9.3	5.4	288	732	218	263	112	152	-	329	180	190	220	46.2
EH 15/7T	112	5.5	7.5	5.71	-	10.3	6.0	336	780	218	263	112	152	-	377	180	190	220	47.6

DIMENSIONAL DRAWINGS



EH 15 - PERFORMANCE CURVES 50 HZ



100001200001/05/0017