

EH 3 - TECHNICAL DATA

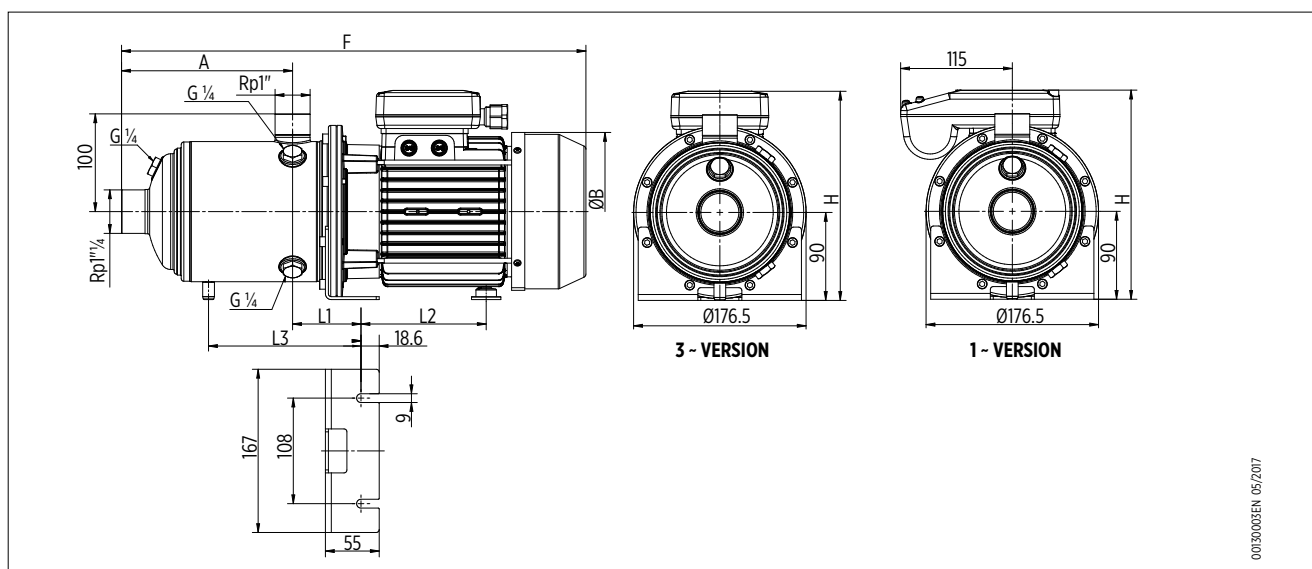
1 ~ ELECTRIC PUMP TECHNICAL DATA

Pump model	Motor Size	MOTOR NOMINAL POWER		INPUT POWER [kW]	Capacitor 450V μ F	INPUT CURRENT [A]	Dimensions [mm]						Weight [Kg]	
		[kW]	[HP]				A	F	\varnothing B	H	L1	L2		L3
EH 3/2	71	0.33	0.45	0.46	16	2.5	103	361	144	207	70	101	-	11.2
EH 3/3	71	0.45	0.6	0.60	16	3.0	103	361	144	207	70	101	-	11.4
EH 3/4	71	0.55	0.75	0.76	16	3.7	127	385	144	207	70	101	-	11.8
EH 3/5	71	0.75	1	0.91	16	4.3	151	409	144	207	70	101	-	12.4
EH 3/6	71	0.9	1.2	1.13	30	5.4	175	433	144	207	70	101	-	14.4
EH 3/7	71	1.1	1.5	1.28	30	6.0	199	457	144	207	70	101	180	15
EH 3/8	80	1.3	1.8	1.43	30	6.9	223	523	162	214	70	128	204	18.8
EH 3/9	80	1.5	2	1.58	30	7.5	247	547	162	214	70	128	228	19.4

3 ~ ELECTRIC PUMP TECHNICAL DATA

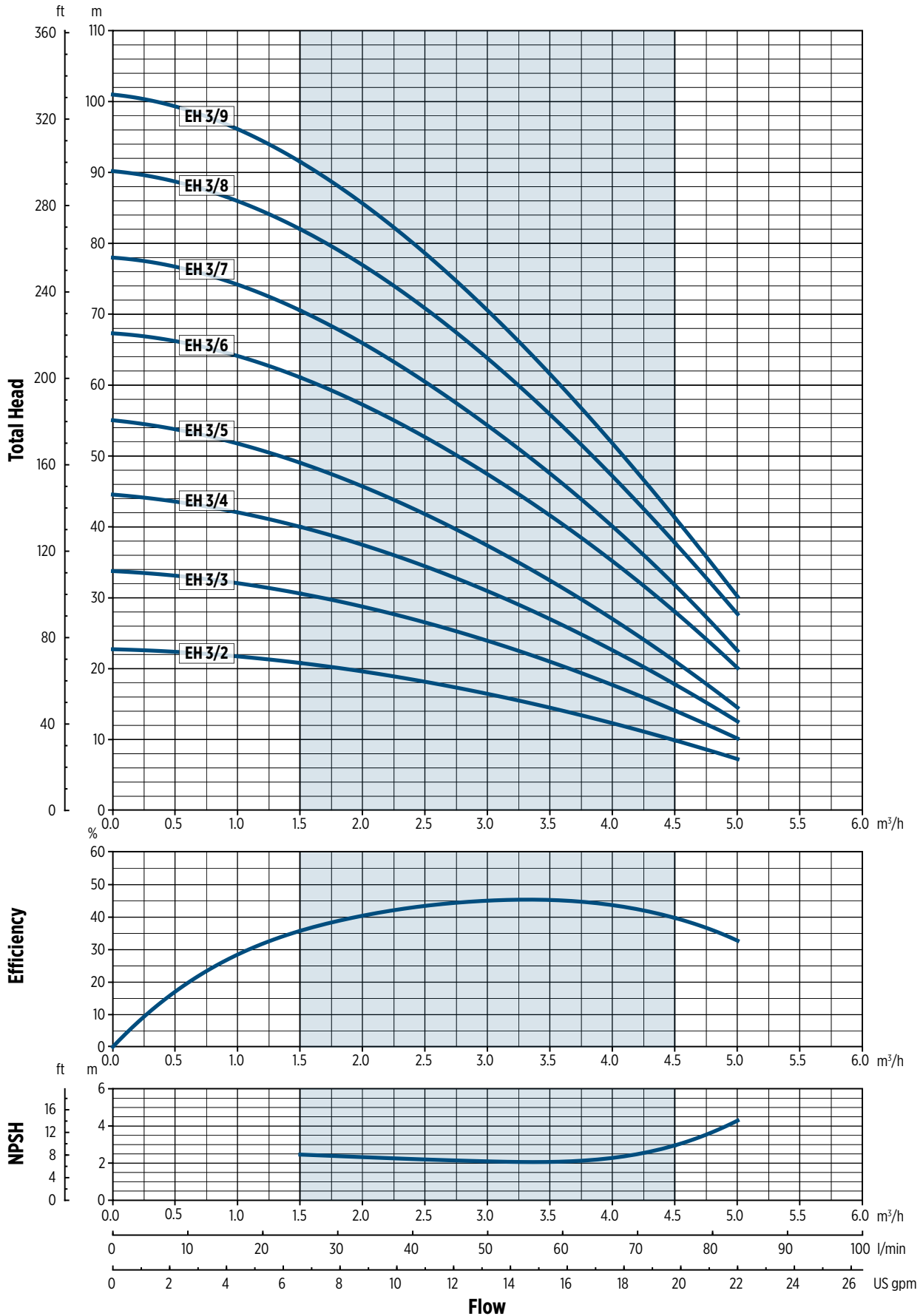
Pump model	Motor Size	MOTOR NOMINAL POWER		INPUT POWER [kW]	INPUT CURRENT [A]		Dimensions [mm]						Weight [Kg]	
		[kW]	[HP]		220-240 V	380-415 V	A	F	\varnothing B	H	L1	L2		L3
EH 3/2T	71	0.75	1	0.41	1.9	1.1	103	363	144	207	70	101	-	10.8
EH 3/3T	71	0.75	1	0.57	2.1	1.2	103	363	144	207	70	101	-	11
EH 3/4T	71	0.75	1	0.72	2.4	1.4	127	387	144	207	70	101	-	11.6
EH 3/5T	71	0.75	1	0.87	2.7	1.6	151	411	144	207	70	101	-	12
EH 3/6T	71	1.1	1.5	1.02	3.3	1.9	175	435	144	207	70	101	-	13.2
EH 3/7T	71	1.1	1.5	1.17	3.6	2.1	199	459	144	207	70	101	180	13.8
EH 3/8T	80	1.5	2	1.39	4.8	2.8	223	520	162	214	70	128	204	17.6
EH 3/9T	80	1.5	2	1.55	5.1	3.0	247	544	162	214	70	128	228	18.2

DIMENSIONAL DRAWINGS



0030005EN 05/2017

EH 3 - PERFORMANCE CURVES 50 HZ



00127005EN 05/2017