

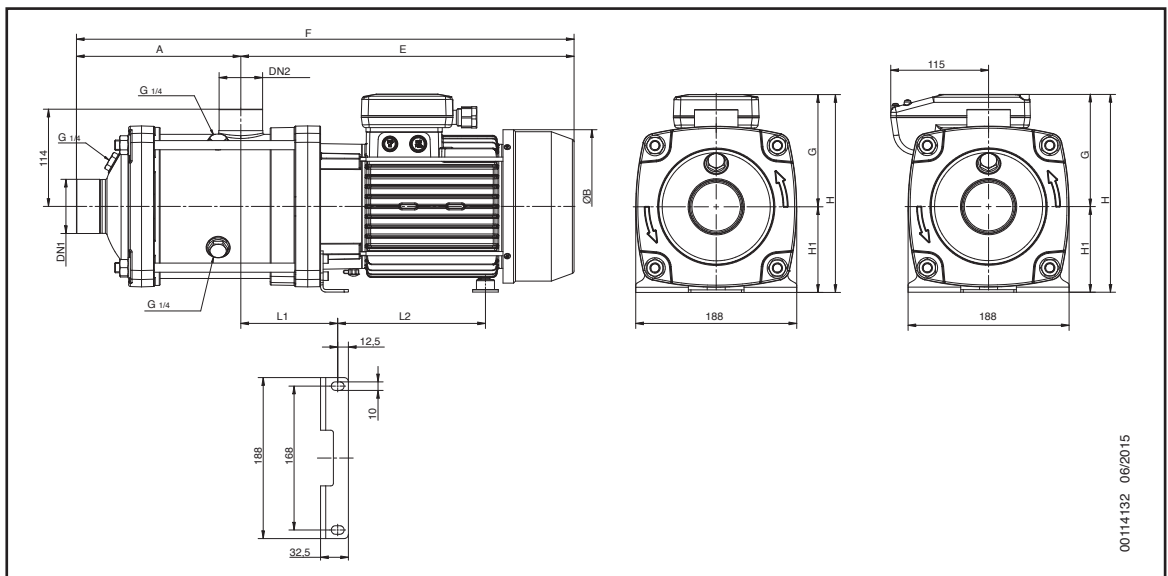
Technical data 50Hz

Pumps model		NUMERO DI STADI	POTENZA		POTENZA ASSORBITA	CONDENSATORE INTERNO		CORRENTE NOMINALE		
Single-phase 220-240V 50Hz	Three-phase 380-415V 50Hz		kW	HP	kW	μF	V	Single-phase 220-240V 50Hz	Three-phase	
									220-240V 50Hz	380-415V 50Hz
-	EH 15/2T	2	1.5	2	1.71	-	-	-	5.7	3.3
-	EH 15/3T	3	2.2	3	2.55	-	-	-	8.3	4.8
-	EH 15/4T	4	3	4	3.38	-	-	-	11.4	6.6
-	EH 15/5T	5	4	5.5	4.22	-	-	-	13.2	7.6
-	EH 15/6T	6	5.5	7.5	5.13	-	-	-	15.2	8.8
-	EH 15/7T	7	5.5	7.5	5.91	-	-	-	17.0	9.8

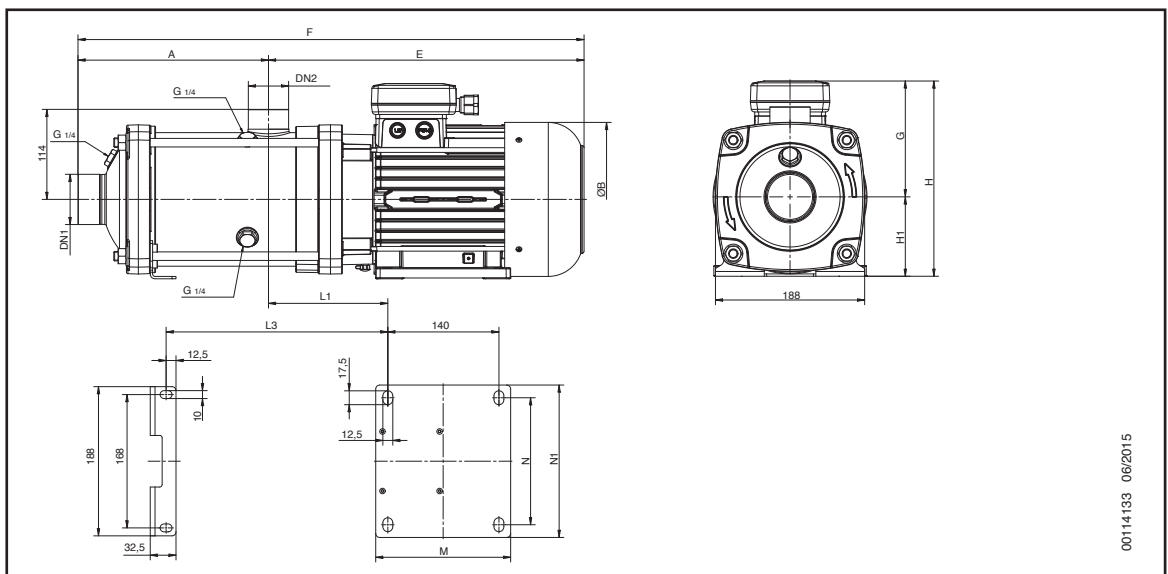
■ Three-phase motors: 380-415 V ± 5 % / 50Hz. Thermal protection to be provide into the starter pale by the installer.

Dimensions and weights

Pumps model		Dimensions															Weight (kg)			
Single-phase 220-240V 50Hz	Three-phase 380-415V 50Hz	A	E	F	G	DN1	DN2	ØB	H	H1	L1	L2	L3	M	N	N1	1~ Single-phase	3~ Three-phase		
		mm	mm	mm	mm			mm	mm	mm	mm	mm	mm	mm	mm	mm	mm			
-	EH 15/2T	144	344	488	124	Rp 2"	Rp 1" 1/2	162	224	100	113,1	129,1	-	-	-	-	-	-	20	
-	EH 15/3T	144	388,5	532,5	131			179	231	100	113,1	172,6	-	-	-	-	-	-	-	24,5
-	EH 15/4T	192	388,5	580,5	131			179	231	100	113,1	172,6	-	-	-	-	-	-	-	28,5
-	EH 15/5T	240	397	637	146			194	246	100	150,2	-	279,2	170	160	192	-	-	-	35,5
-	EH 15/6T	288	412	700	151			218	263	112	151,7	-	328,7	180	190	220	-	-	-	47,5
-	EH 15/7T	336	412	748	151			218	263	112	151,7	-	376,7	180	190	220	-	-	-	48,5



00114132 06/2015



00114133 06/2015

Performance curves 50Hz

