

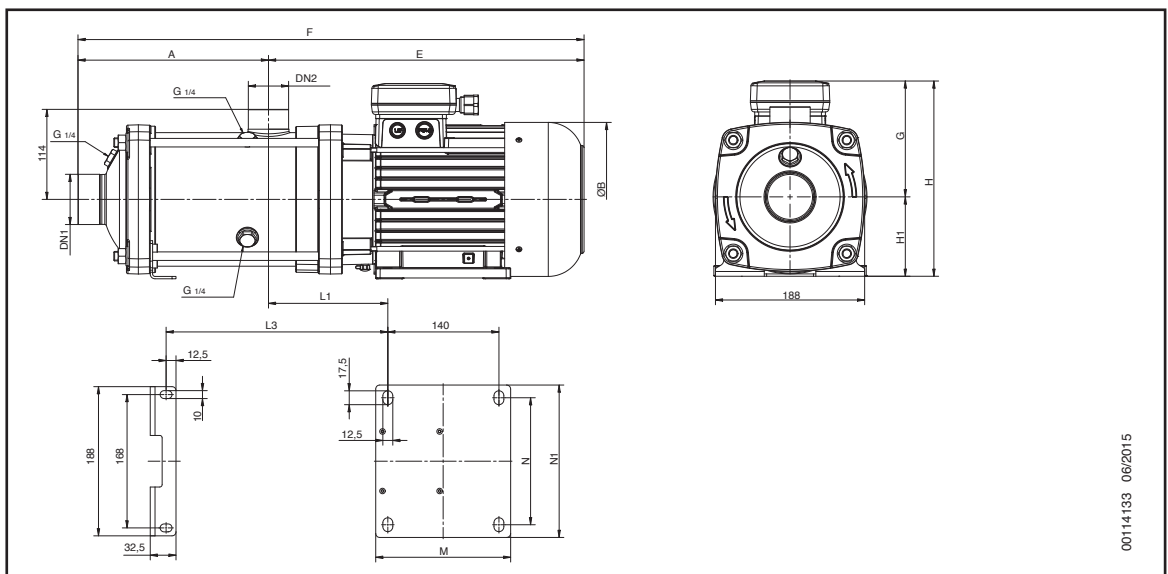
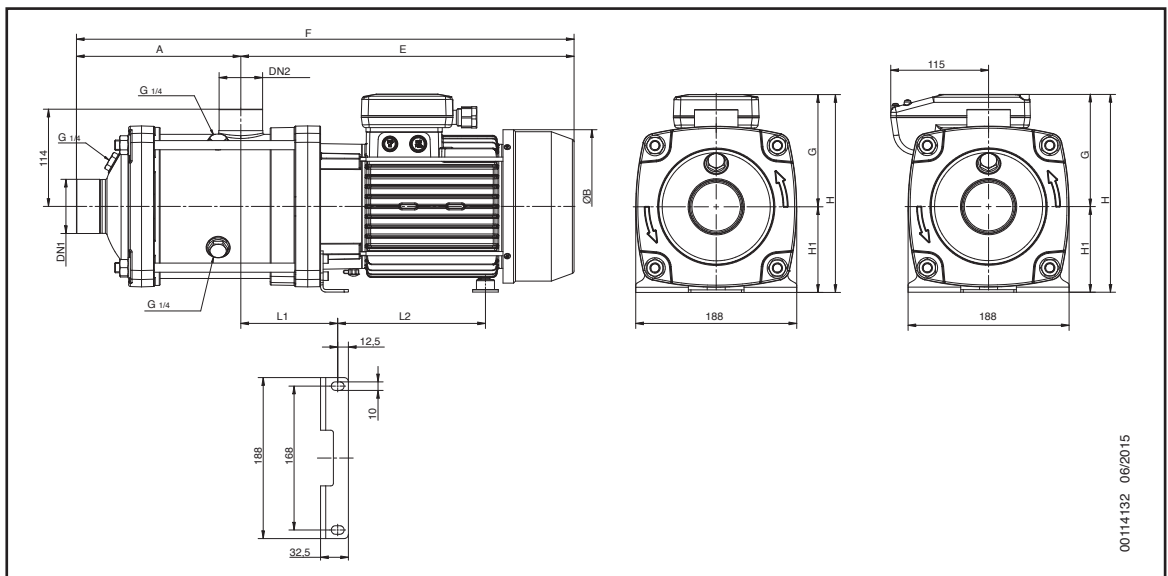
Technical data 50Hz

Pumps model		NUMBER OF STAGES	POWER		INPUT POWER	INTERNAL CAPACITOR		RATED CURRENT		
Single-phase 220-240V 50Hz	Three-phase 380-415V 50Hz		kW	HP		kW	μF	V	Single-phase 220-240V 50Hz	Three-phase 220-240V 50Hz / 380-415V 50Hz
-	EH 20/2T	2	2.2	3	2.35	-	-	-	8.0	4.6
-	EH 20/3T	3	3	4	3.46	-	-	-	11.6	6.7
-	EH 20/4T	4	4	5.5	4.57	-	-	-	14.0	8.1
-	EH 20/5T	5	5.5	7.5	5.79	-	-	-	16.6	9.6

- Three-phase motors: 380-415 V ± 5 % / 50Hz. Thermal protection to be provide into the starter pale by the installer.

Dimensions and weights

Pumps model		Dimensions															Weight (kg)			
Single-phase 220-240V 50Hz	Three-phase 380-415V 50Hz	A mm	E mm	F mm	G mm	DN1	DN2	ØB mm	H mm	H1 mm	L1 mm	L2 mm	L3 mm	M mm	N mm	N1 mm	1~ Single-phase	3~ Three-phase		
-	EH 20/2T	144	388,5	532,5	131	Rp 2"	Rp 1" ½	179	231	100	113,1	172,6	-	-	-	-	-	-	24,5	
-	EH 20/3T	144	388,5	532,5	131			179	231	100	113,1	172,6	-	-	-	-	-	-	-	27,5
-	EH 20/4T	192	397	589	146			194	246	100	150,2	-	-	231,2	170	160	192	-	-	34,5
-	EH 20/5T	240	412	652	151			218	263	112	151,7	-	-	280,7	180	190	220	-	-	46



Performance curves 50Hz

