

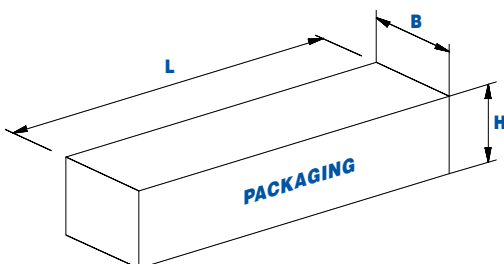
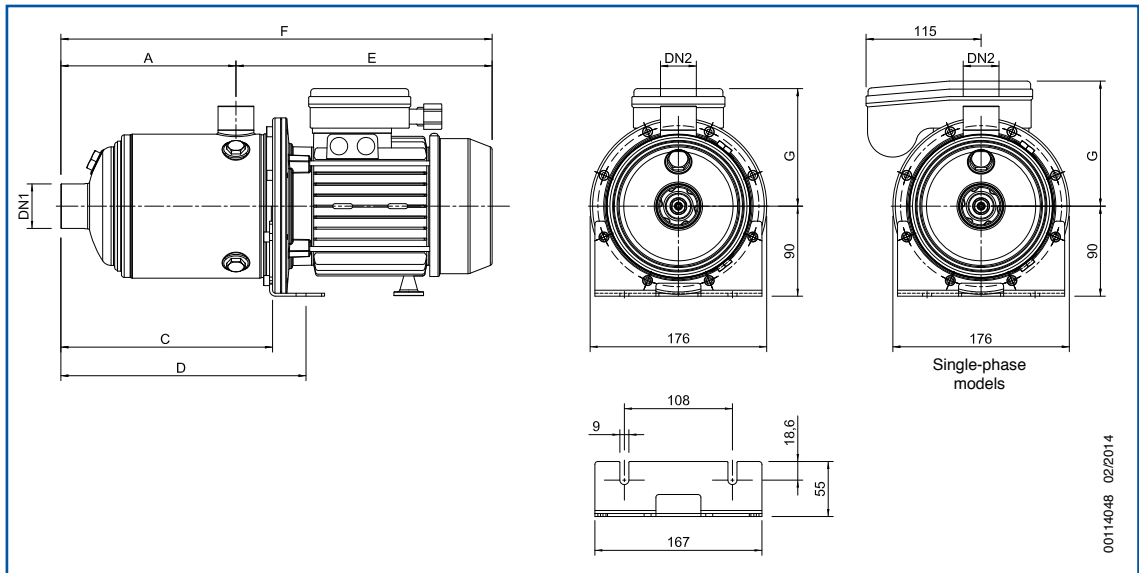
Technical data 50Hz

Pump model		NUMBER OF STAGES	MOTOR POWER		INPUT POWER	INTERNAL CAPACITOR		RATED CURRENT		
Single-phase 220-240V 50Hz	Three-phase 380-415V 50Hz		kW	HP		kW	μF	V	Single-phase 220-240V 50Hz	Three-phase
					220-240V 50Hz				220-240V 50Hz	380-415V 50Hz
EH 3/2	EH 3/2T	2	0.33	0.45	0.44	16	450	2.5	2.4	1.4
EH 3/3	EH 3/3T	3	0.45	0.6	0.59	16	450	3.0	2.6	1.5
EH 3/4	EH 3/4T	4	0.55	0.75	0.75	16	450	3.7	2.9	1.7
EH 3/5	EH 3/5T	5	0.75	1	0.90	16	450	4.3	3.1	1.8
EH 3/6	EH 3/6T	6	0.9	1.2	1.14	30	450	5.4	4.3	2.5
EH 3/7	EH 3/7T	7	1.1	1.5	1.29	30	450	6.0	4.7	2.7
EH 3/8	EH 3/8T	8	1.3	1.8	1.46	30	450	6.9	5.5	3.2
EH 3/9	EH 3/9T	9	1.5	2	1.61	30	450	7.5	5.9	3.4

- Single-phase motors: 220-240 V ± 5 % / 50Hz. Thermal protection built into the motor.
- Three-phase motors: 380-415 V ± 5 % / 50Hz. Thermal protection to be provided into the starter panel by the installer.

Dimensions and weights

Pump model		Dimensions							PACKAGING					
Single-phase 220-240V 50Hz	Three-phase 380-415V 50Hz	A mm	E mm	C mm	D mm	F mm	G		DN1	DN2	L mm	B mm	H mm	Weight kg
							1-phase	3-phase						
EH 3/2	EH 3/2T	103	256	139.6	173	359	120	118	Rp 1"¼	Rp 1"	500	200	260	10.5
EH 3/3	EH 3/3T	103	256	139.6	173	359	120	118			500	200	260	10.6
EH 3/4	EH 3/4T	127	256	163.6	197	383	120	118			500	200	260	11.1
EH 3/5	EH 3/5T	151	256	187.6	221	407	120	118			500	200	260	11.6
EH 3/6	EH 3/6T	175	256	211.6	245	431	120	118			500	200	260	14.0
EH 3/7	EH 3/7T	199	256	235.6	269	455	120	118			610	220	260	14.6
EH 3/8	EH 3/8T	223	300	259.6	293	523	125	125			610	220	260	18.1
EH 3/9	EH 3/9T	247	300	283.6	317	547	125	125			610	220	260	18.7



Performance curves 50Hz

