

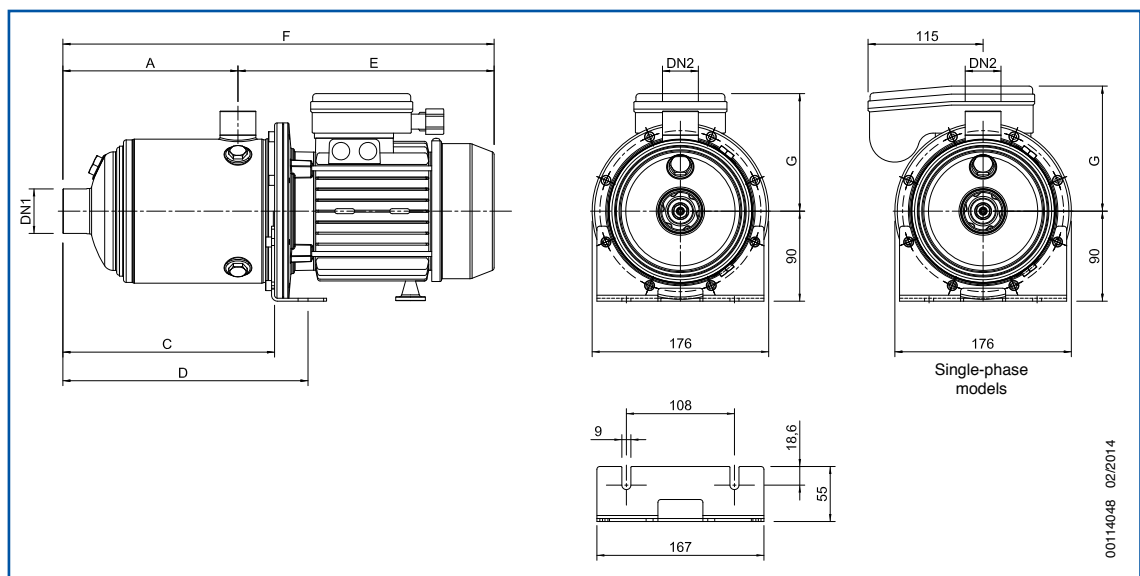
## Technical data 50Hz

Pump model		NUMBER OF STAGES	MOTOR POWER		INPUT POWER	INTERNAL CAPACITOR		RATED CURRENT		
Single-phase 220-240V 50Hz	Three-phase 380-415V 50Hz		kW	HP		kW	μF	V	Single-phase 220-240V 50Hz	Three-phase
					220-240V 50Hz				220-240V 50Hz	380-415V 50Hz
EH 5/2	EH 5/2T	2	0.45	0.6	0.58	16	450	3.0	2.6	1.5
EH 5/3	EH 5/3T	3	0.55	0.75	0.80	16	450	3.9	2.9	1.7
EH 5/4	EH 5/4T	4	0.9	1.2	1.10	30	450	5.3	4.3	2.5
EH 5/5	EH 5/5T	5	1.1	1.5	1.33	30	450	6.2	4.7	2.7
EH 5/6	EH 5/6T	6	1.3	1.8	1.56	30	450	7.3	5.7	3.3
EH 5/7	EH 5/7T	7	1.5	2	1.79	30	450	8.2	6.2	3.6
EH 5/8	EH 5/8T	8	1.5	2	2.00	30	450	8.9	6.6	3.8
-	EH 5/9T	9	1.85	2.5	2.30	-	-	-	7.1	4.1

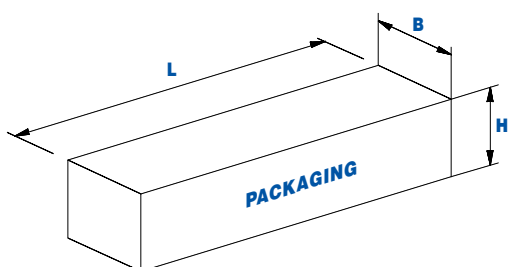
- Single-phase motors: 220-240 V ± 5 % / 50Hz. Thermal protection built into the motor.
- Three-phase motors: 380-415 V ± 5 % / 50Hz. Thermal protection to be provided into the starter panel by the installer.

## Dimensions and weights

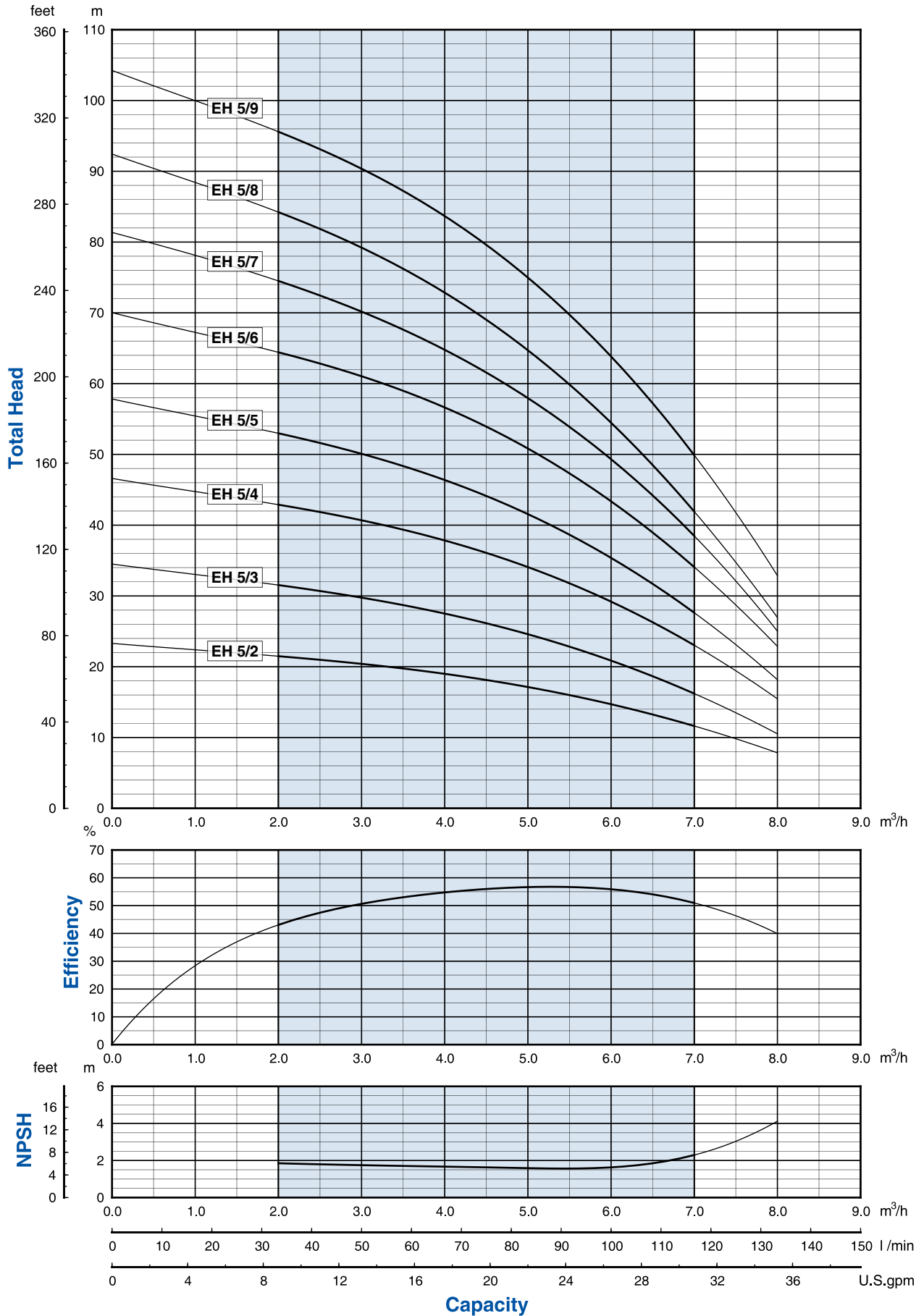
Pump model		Dimensions							PACKAGING					
Single-phase 220-240V 50Hz	Three-phase 380-415V 50Hz	A mm	E mm	C mm	D mm	F mm	G		DN1	DN2	L mm	B mm	H mm	Weight kg
							1-phase	3-phase						
EH 5/2	EH 5/2T	103	256	139.6	173	359	120	118	Rp 1"¼	Rp 1"	500	200	260	10.5
EH 5/3	EH 5/3T	103	256	139.6	173	359	120	118			500	200	260	10.6
EH 5/4	EH 5/4T	127	256	163.6	197	383	120	118			500	200	260	13.0
EH 5/5	EH 5/5T	151	256	187.6	221	407	120	118			500	200	260	13.5
EH 5/6	EH 5/6T	175	300	211.6	245	475	125	125			610	220	260	17.1
EH 5/7	EH 5/7T	199	300	235.6	269	499	125	125			610	220	260	17.7
EH 5/8	EH 5/8T	223	300	259.6	293	523	125	125			610	220	260	18.2
-	EH 5/9T	247	300	283.6	317	547	125	125			610	220	260	18.7



00114048 02/2014



## Performance curves 50Hz



00110060 02/2010