

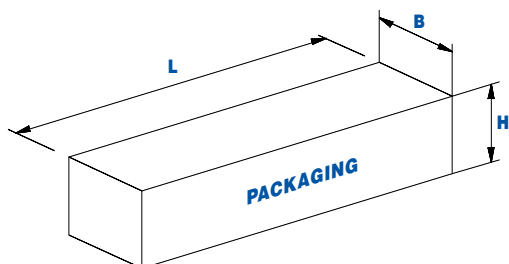
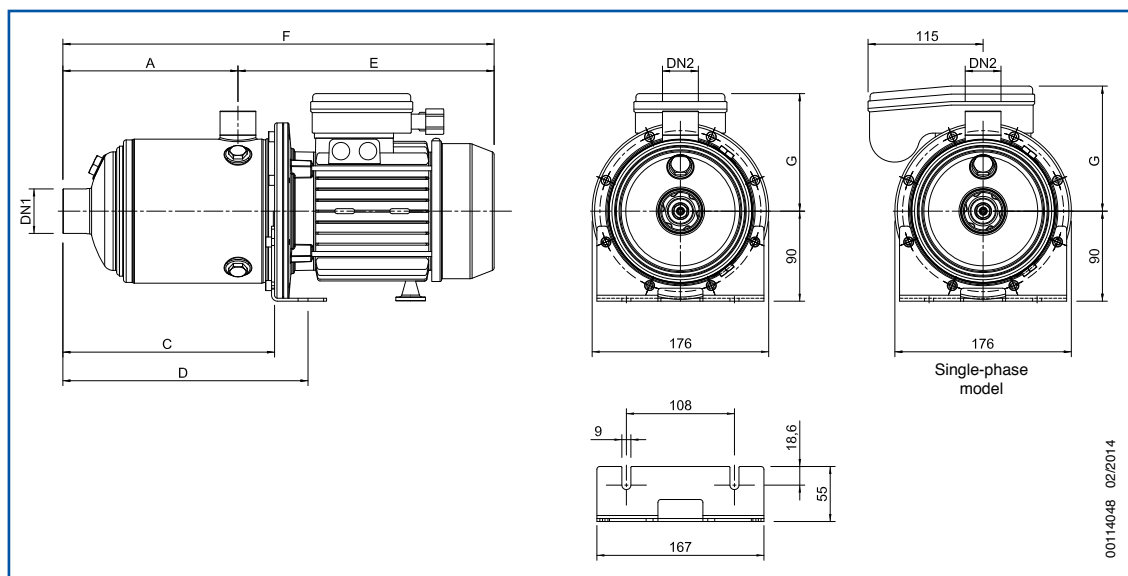
## Technical data 50Hz

Pump model		NUMBER OF STAGES	MOTOR POWER		INPUT POWER	INTERNAL CAPACITOR		RATED CURRENT		
Single-phase 220-240V 50Hz	Three-phase 380-415V 50Hz		kW	HP		kW	μF	V	Single-phase 220-240V 50Hz	Three-phase
					220-240V 50Hz				220-240V 50Hz	380-415V 50Hz
EH 9/2	EH 9/2T	2	0.75	1	0.90	16	450	4.3	3.1	1.8
EH 9/3	EH 9/3T	3	1.1	1.5	1.37	30	450	6.4	4.7	2.7
EH 9/4	EH 9/4T	4	1.5	2	1.77	30	450	8.2	6.1	3.5
-	EH 9/5T	5	1.85	2.5	2.21	-	-	-	6.9	4.0
-	EH 9/6T	6	2	2.7	2.61	-	-	-	7.8	4.5

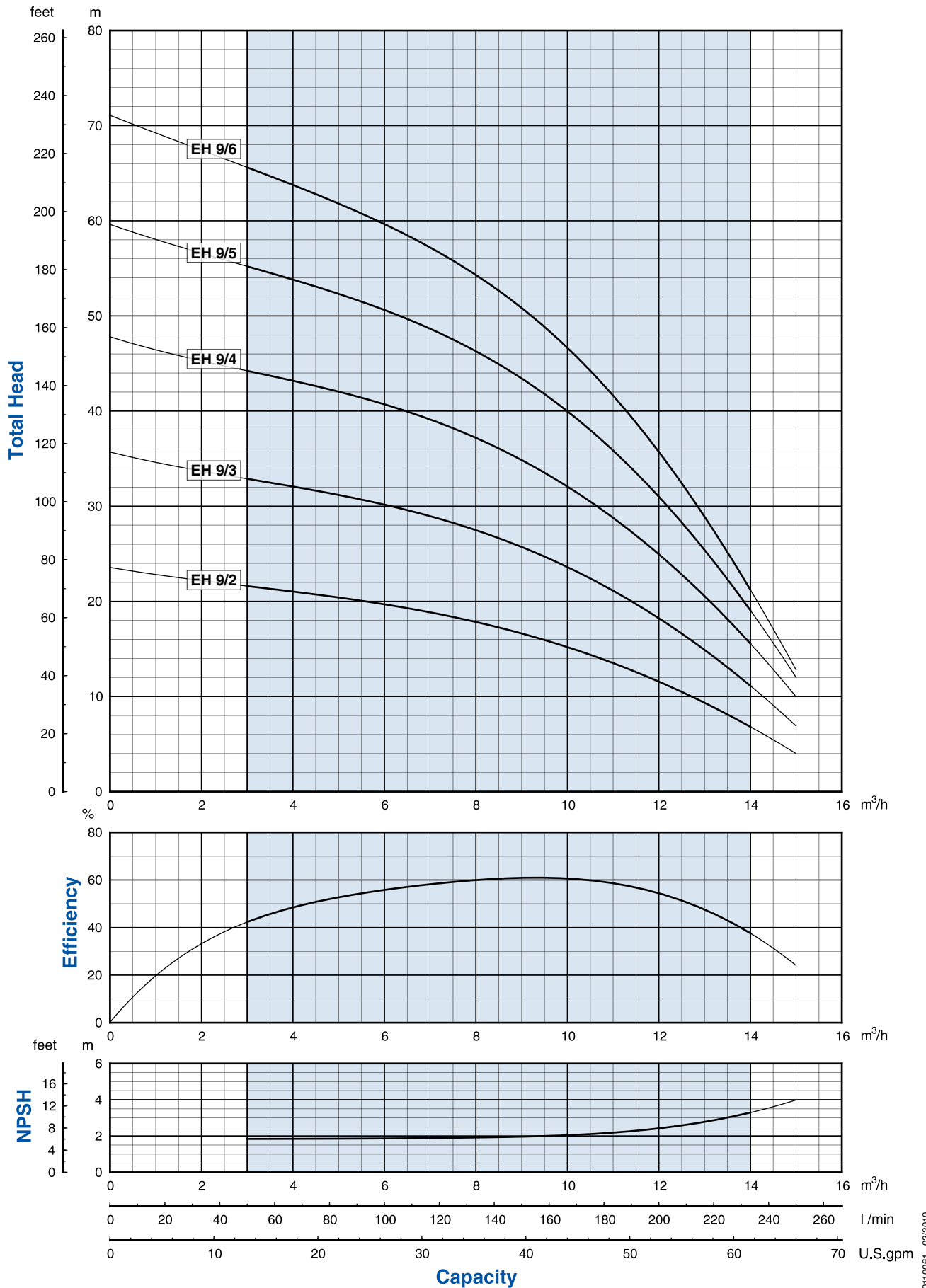
- Single-phase motors: 220-240 V ± 5 % / 50Hz. Thermal protection built into the motor.
- Three-phase motors: 380-415 V ± 5 % / 50Hz. Thermal protection to be provided into the starter panel by the installer.

## Dimensions and weights

Pump model		Dimensions							PACKAGING					
Single-phase 220-240V 50Hz	Three-phase 380-415V 50Hz	A mm	E mm	C mm	D mm	F mm	G		DN1	DN2	L mm	B mm	H mm	Weight kg
							1-phase	3-phase						
EH 9/2	EH 9/2T	118	260	158.6	192	378	120	118	Rp 1"½	Rp 1"¼	500	200	260	10.8
EH 9/3	EH 9/3T	118	260	158.6	192	378	120	118			500	200	260	12.8
EH 9/4	EH 9/4T	148	304	188.6	222	452	125	125			610	220	260	16.5
-	EH 9/5T	178	304	218.6	252	482	125	125			610	220	260	17.2
-	EH 9/6T	208	304	248.6	282	512	125	125			610	220	260	17.8



## Performance curves 50Hz



00110061 02/2010