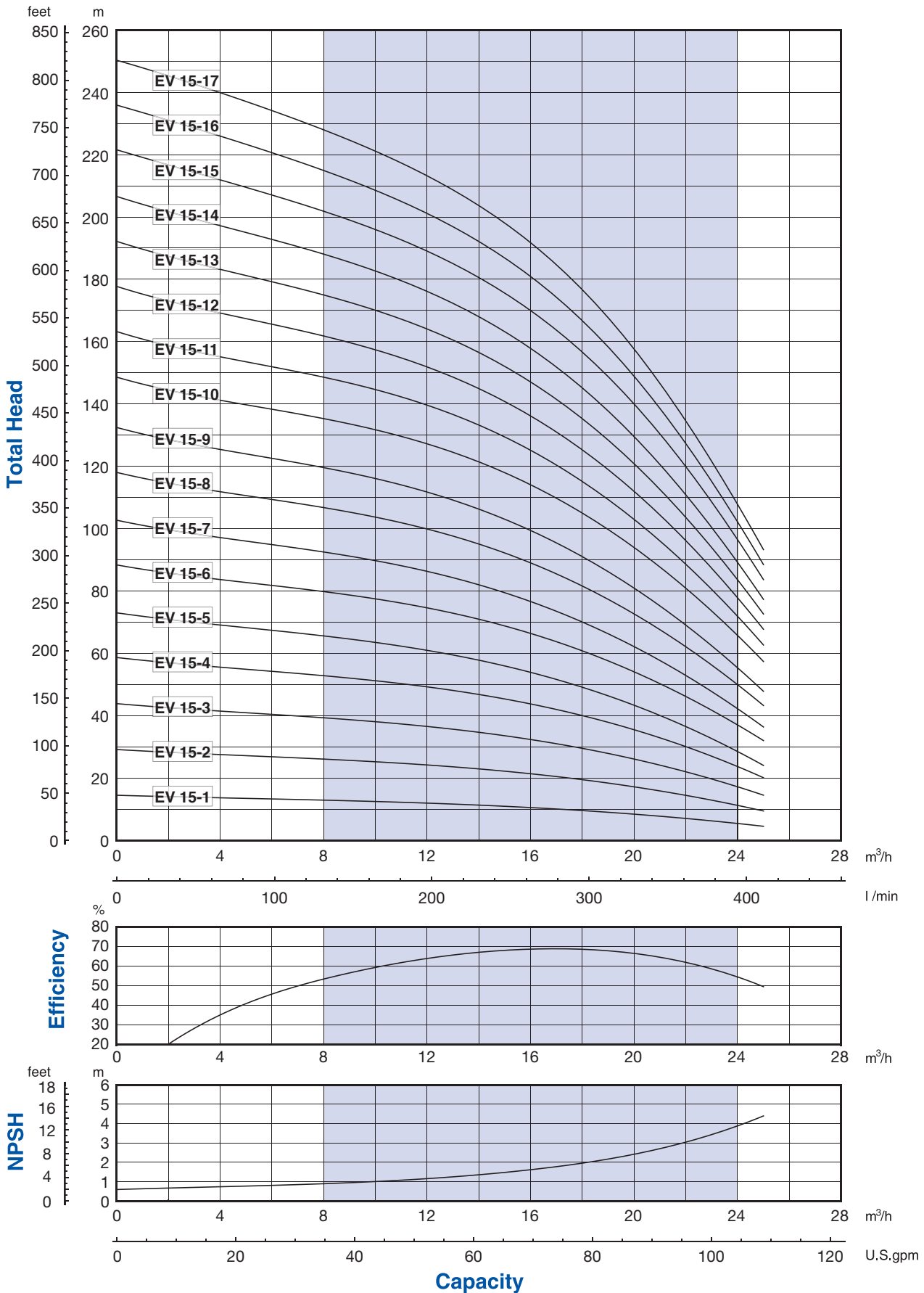


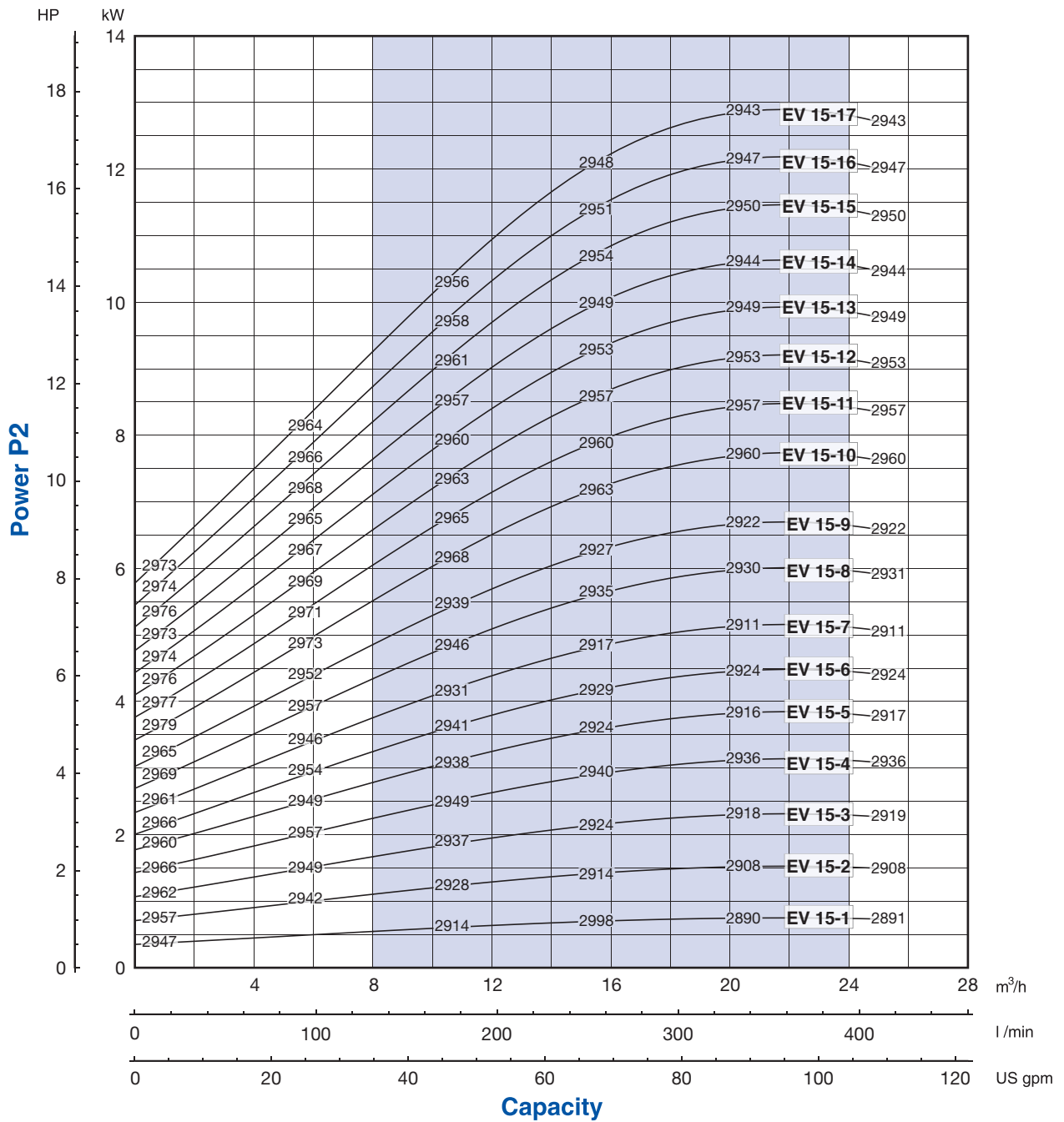
Performance curves 50Hz

MEI ≥ 0,70



00110090 11/2013

The hydraulic characteristics are guaranteed, according to ISO standard 9906, grade 3.

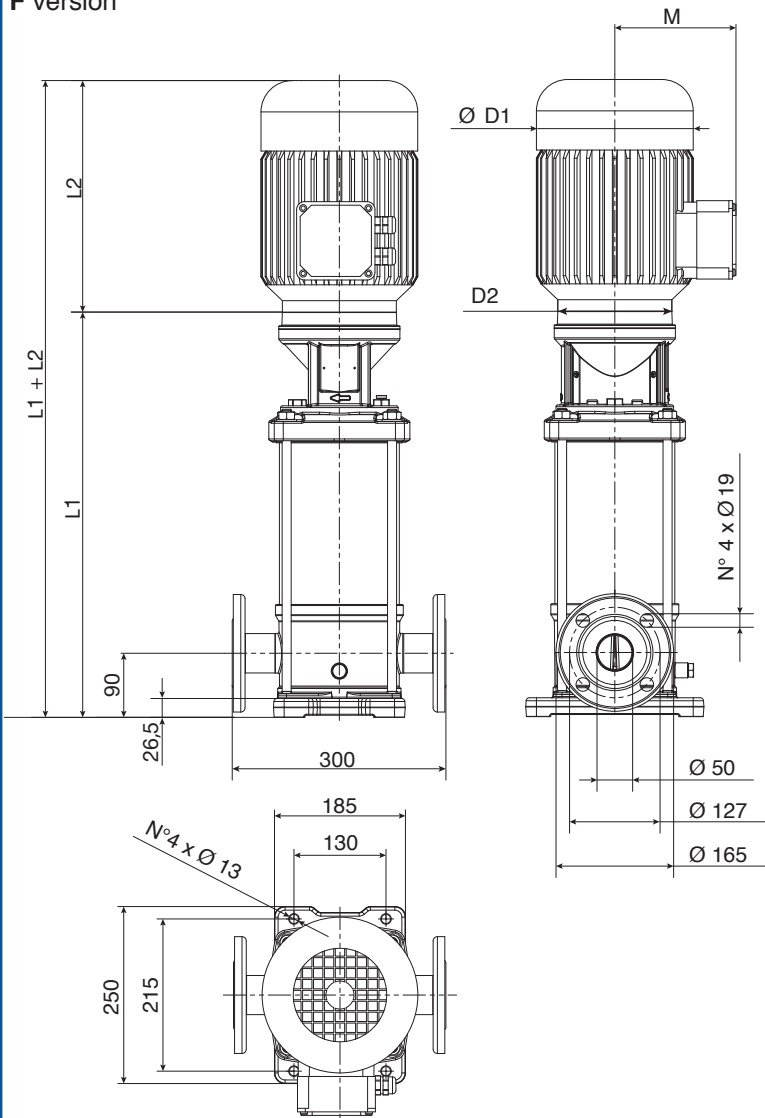


Performance curves of Q, H and P depend on the rpm number according to the following formulae:

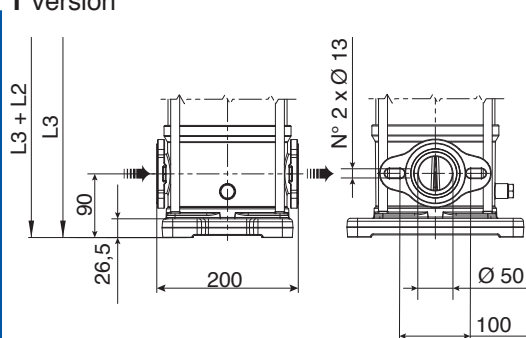
$$Q_2 = Q_1 \cdot \left(\frac{n_2}{n_1}\right), \quad H_2 = H_1 \cdot \left(\frac{n_2}{n_1}\right)^2, \quad P_2 = P_1 \cdot \left(\frac{n_2}{n_1}\right)^3, \quad \eta \text{ remains approximately the same.}$$

The rpm number related to the performance curves (Q-H-P) is indicated in the power chart.
 Performance curves (Q-H-P) will change in case a motor with rpm number different from indicated values is used.
 Q=Capacity, H=Head, P=Power, η=Efficiency

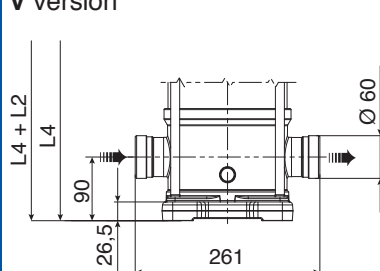
F version



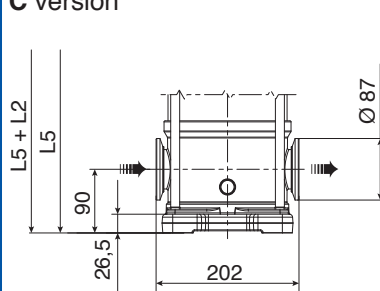
T version



V version



C version



F version Round flanges on body type PN25: the pump is supplied without counterflanges (Optional accessories, including bolts and joints).

T version Oval flanges on body type PN16: the pump is supplied without threaded oval counter flanges (Optional accessories, including bolts and joints).

V version Connections with rapid fittings type "Victaulic": the pump is supplied without the collars (Optional accessories).

C version Connections with round fittings type Clamp-FlexiClamp: the pump is supplied without collars (Optional accessories).

Pump Model	Motor		Dimensions (mm)									Weight			
	kW	Size	L1	L2		L3	L4	L5	M		D1		D2	Pump	Electric Pump
			F	1-PHASE	3-PHASE	T	V	C	1-PHASE	3-PHASE	1-PHASE	3-PHASE			
EV 15/1	1,1	80	405	232	232	232	232	232	150	129	160	160	170	23,5	35,5
EV 15/2	2,2	90	415	267	267	267	267	267	160	138	180	180	170	25	41
EV 15/3	3	100	473	-	267	267	267	267	-	138	-	180	170	27	45,7
EV 15/4	4	112	521	-	306	306	306	306	-	145	-	196	170	28,5	51,3
EV 15/5	4	112	569	-	306	306	306	306	-	145	-	196	170	30	52,8
EV 15/6	5,5	132	804	-	328	328	328	328	-	161	-	225	300	52	86
EV 15/7	5,5	132	852	-	328	328	328	328	-	161	-	225	300	53	87
EV 15/8	7,5	132	900	-	350	350	350	350	-	161	-	225	300	54,5	90,5
EV 15/9	7,5	132	948	-	350	350	350	350	-	161	-	225	300	56	92
EV 15/10	11	160	1016	-	425	425	425	425	-	198	-	248	350	60	118
EV 15/11	11	160	1064	-	425	-	425	425	-	198	-	248	350	61,5	119,5
EV 15/12	11	160	1112	-	425	-	425	425	-	198	-	248	350	63	121
EV 15/13	11	160	1160	-	425	-	425	425	-	198	-	248	350	64,5	122,5
EV 15/14	11	160	1208	-	425	-	425	425	-	198	-	248	350	66	124
EV 15/15	15	160	1256	-	476	-	476	476	-	198	-	248	350	67	131
EV 15/16	15	160	1304	-	476	-	476	476	-	198	-	248	350	68,5	132,5
EV 15/17	15	160	1352	-	476	-	476	476	-	198	-	248	350	70	134

00114095 05/2014