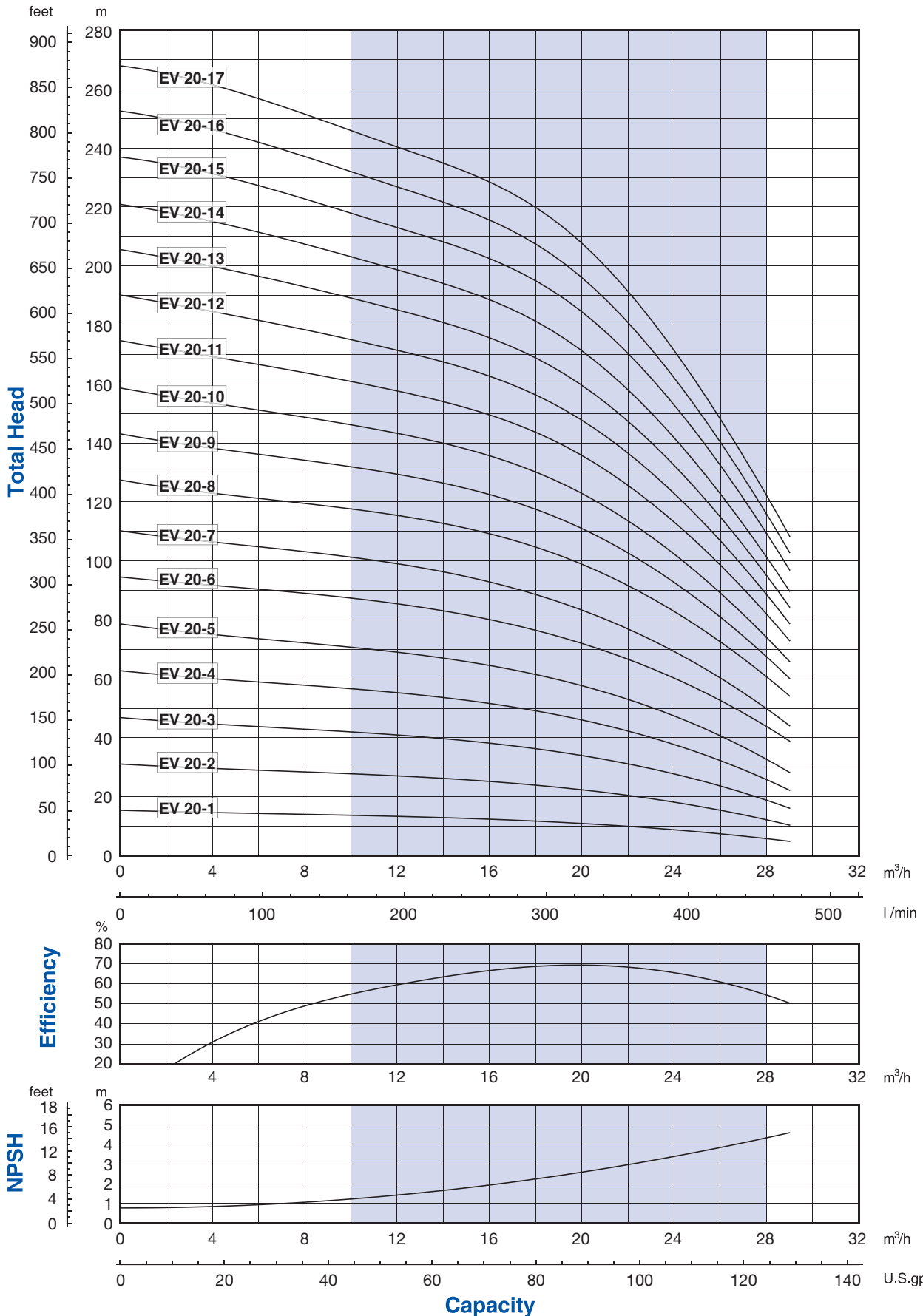


Performance curves 50Hz

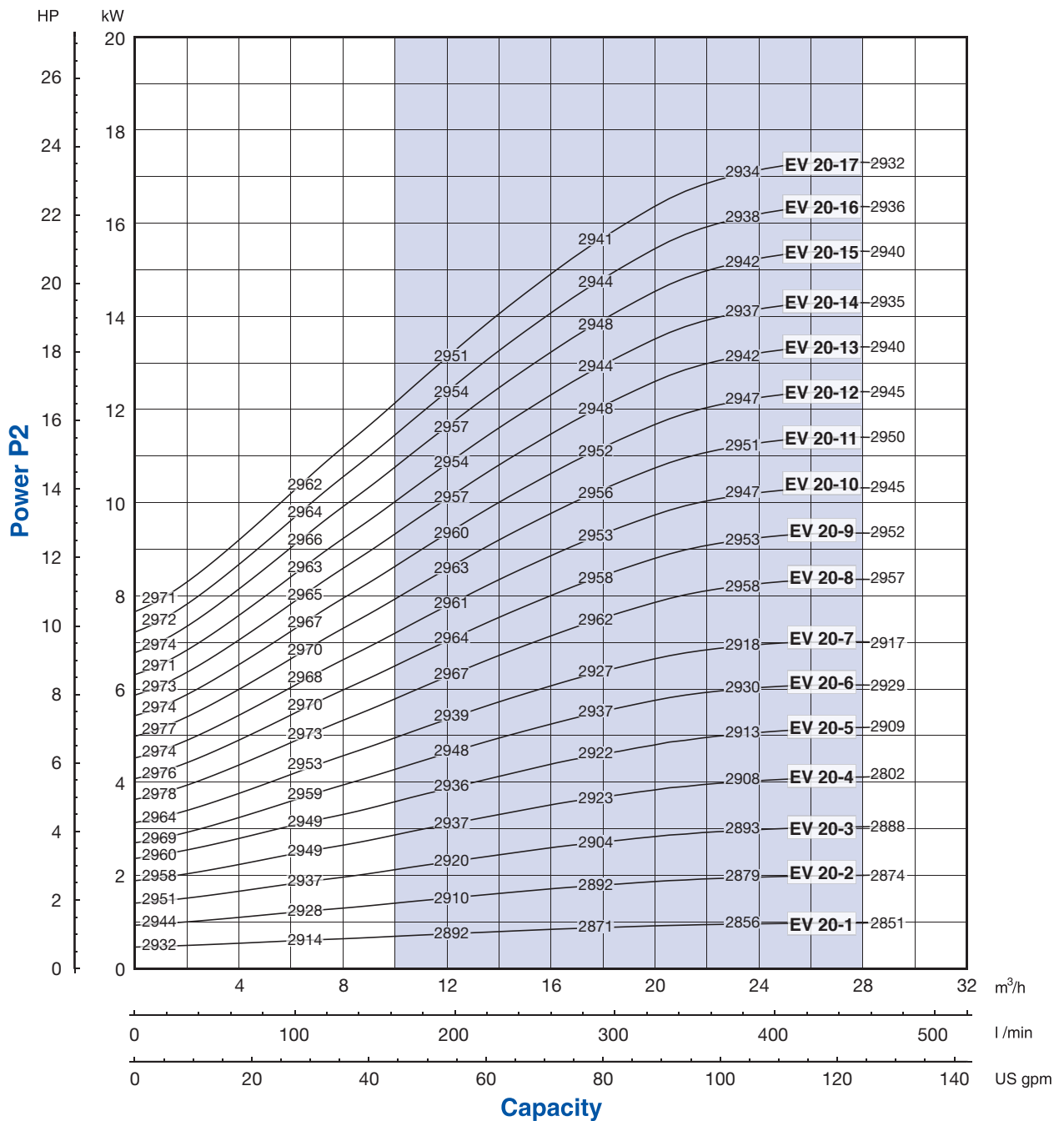
MEI ≥ 0,70



00110091 11/2013

The hydraulic characteristics are guaranteed, according to ISO standard 9906, grade 3.

It is our policy to continuously develop and improve our products, therefore, we reserve the right to amend specifications without prior notice.

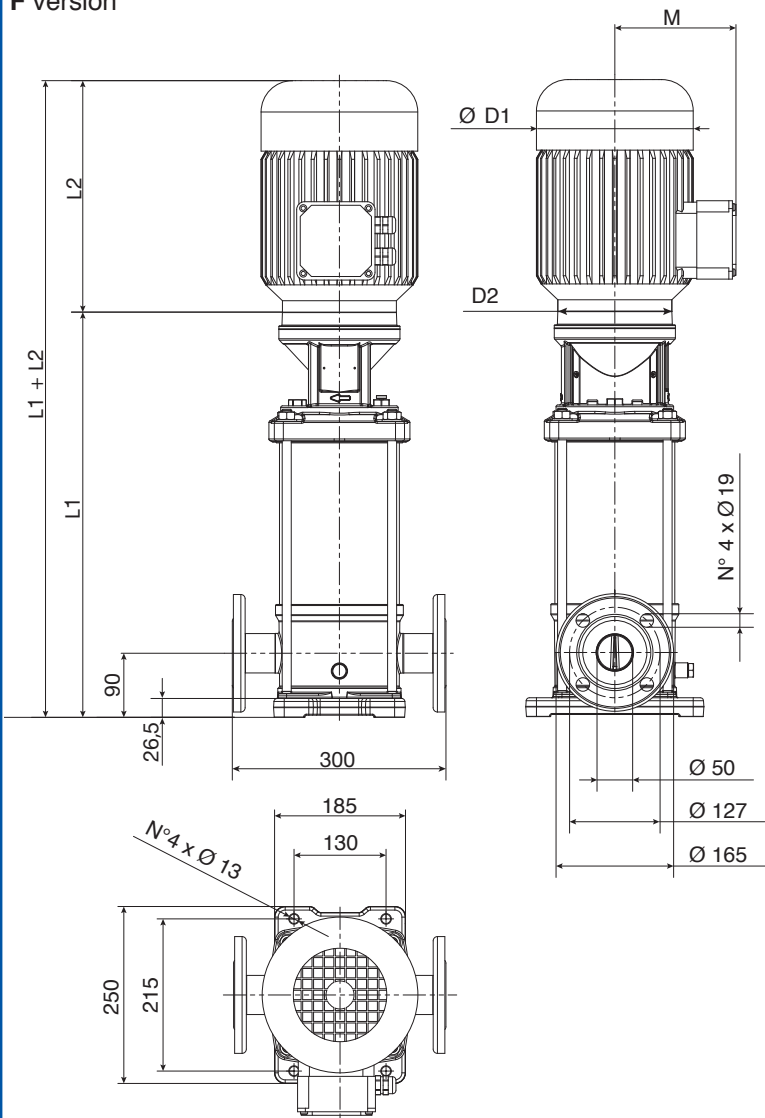


Performance curves of Q, H and P depend on the rpm number according to the following formulae:

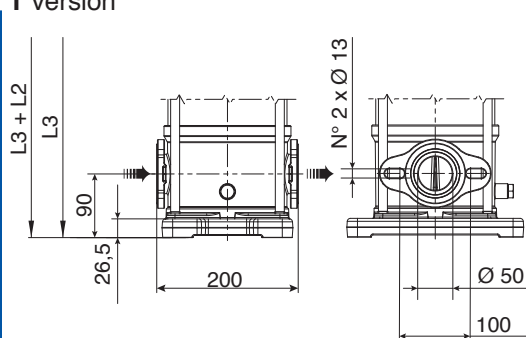
$$Q_2 = Q_1 \cdot \left(\frac{n_2}{n_1}\right), \quad H_2 = H_1 \cdot \left(\frac{n_2}{n_1}\right)^2, \quad P_2 = P_1 \cdot \left(\frac{n_2}{n_1}\right)^3, \quad \eta \text{ remains approximately the same.}$$

The rpm number related to the performance curves (Q-H-P) is indicated in the power chart.
 Performance curves (Q-H-P) will change in case a motor with rpm number different from indicated values is used.
 Q=Capacity, H=Head, P=Power, η=Efficiency

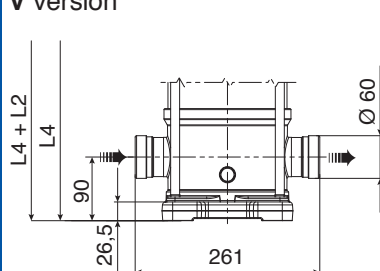
F version



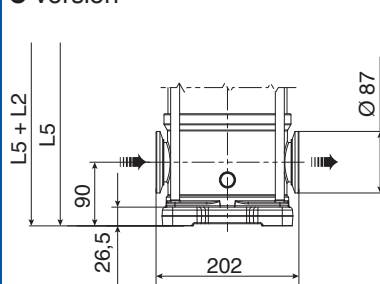
T version



V version



C version



F version Round flanges on body type PN25: the pump is supplied without counterflanges (Optional accessories, including bolts and joints).

T version Oval flanges on body type PN16: the pump is supplied without threaded oval counter flanges (Optional accessories, including bolts and joints).

V version Connections with rapid fittings type "Victaulic": the pump is supplied without the collars (Optional accessories).

C version Connections with round fittings type Clamp-FlexiClamp: the pump is supplied without collars (Optional accessories).

Pump Model	Motor		Dimensions (mm)											Weight				
	kW	Size	L1	L2		L3	L4			L5		M		D1		D2	Pump	Electric Pump
			F	1-PHASE	3-PHASE	T	V	C	1-PHASE	3-PHASE	1-PHASE	3-PHASE						
EV 20/1	1,1	80	405	232	232	232	232	232	150	129	160	160	170	23,5	35,5			
EV 20/2	2,2	90	415	267	267	267	267	267	160	138	180	180	170	25,5	41,5			
EV 20/3	4	112	473	-	306	306	306	306	-	145	-	196	170	27	49,8			
EV 20/4	5,5	132	708	-	328	328	328	328	-	161	-	225	300	49	83			
EV 20/5	5,5	132	756	-	328	328	328	328	-	161	-	225	300	50,5	84,5			
EV 20/6	7,5	132	804	-	350	350	350	350	-	161	-	225	300	52	88			
EV 20/7	7,5	132	852	-	350	350	350	350	-	161	-	225	300	53	89			
EV 20/8	11	160	920	-	425	425	425	425	-	198	-	248	350	57,5	115,5			
EV 20/9	11	160	968	-	425	425	425	425	-	198	-	248	350	59	117			
EV 20/10	11	160	1016	-	425	425	425	425	-	198	-	248	350	60,5	118,5			
EV 20/11	15	160	1064	-	476	-	476	476	-	198	-	248	350	61,5	125,5			
EV 20/12	15	160	1112	-	476	-	476	476	-	198	-	248	350	63	127			
EV 20/13	15	160	1160	-	476	-	476	476	-	198	-	248	350	64,5	128,5			
EV 20/14	15	160	1208	-	476	-	476	476	-	198	-	248	350	66	130			
EV 20/15	18,5	160	1256	-	542	-	542	542	-	235	-	317	350	67,5	156,4			
EV 20/16	18,5	160	1304	-	542	-	542	542	-	235	-	317	350	68,5	157,4			
EV 20/17	18,5	160	1352	-	542	-	542	542	-	235	-	317	350	70	158,9			

00114095 05/2014