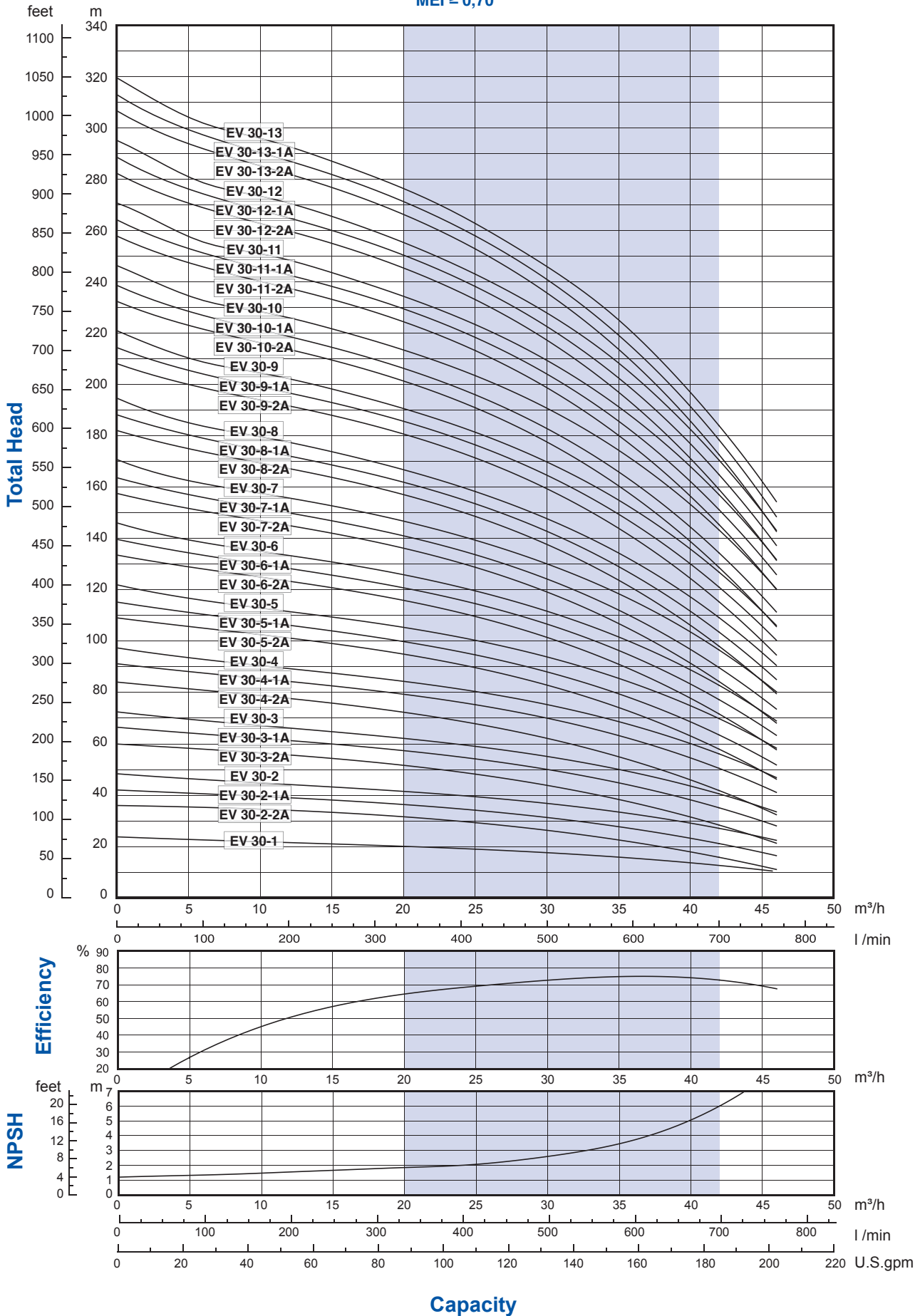


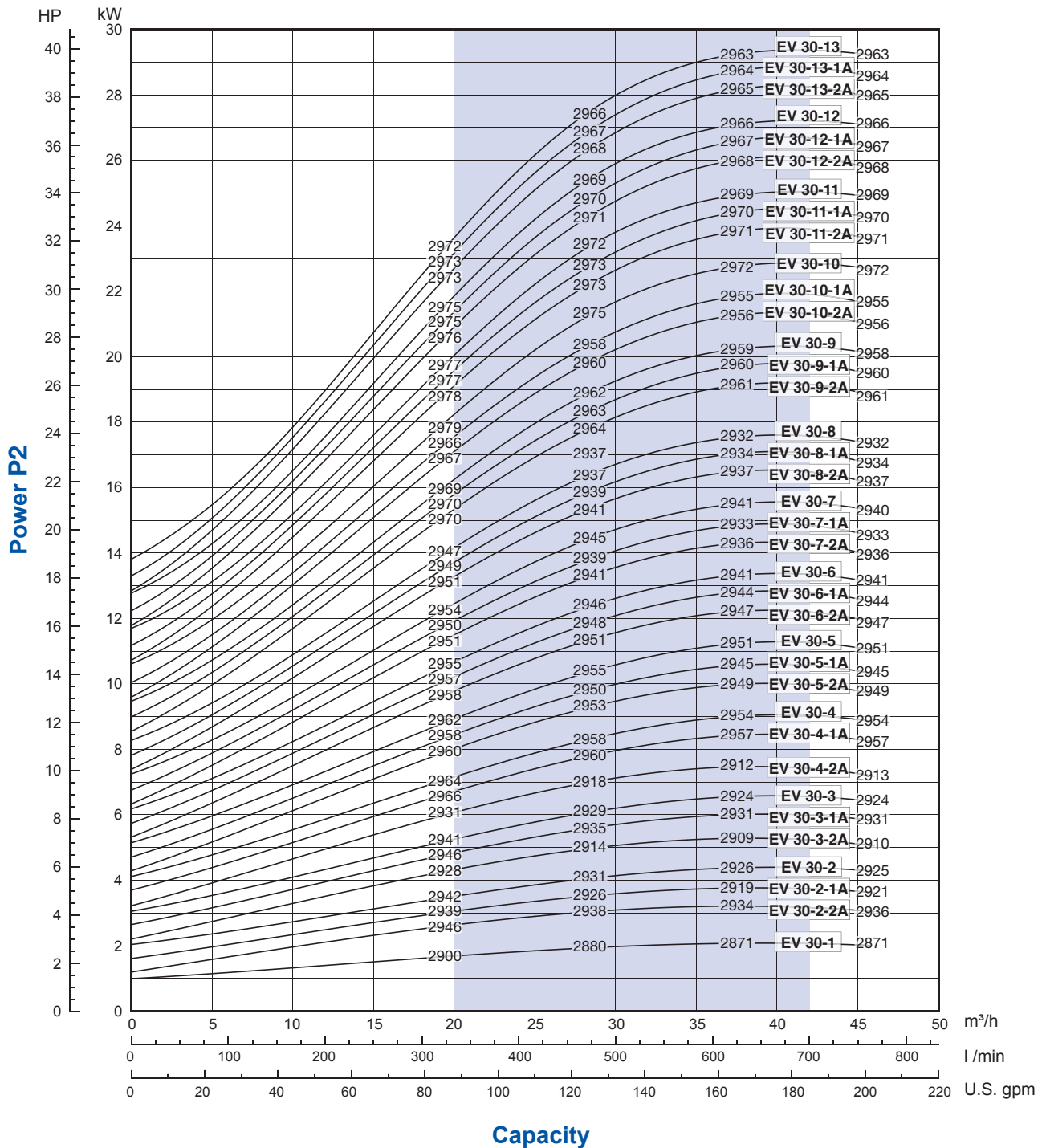
Performance curves 50Hz

MEI ≥ 0,70



The hydraulic characteristics are guaranteed, according to ISO standard 9906, grade 3.

It is our policy to continuously develop and improve our products, therefore, we reserve the right to amend specifications without prior notice.

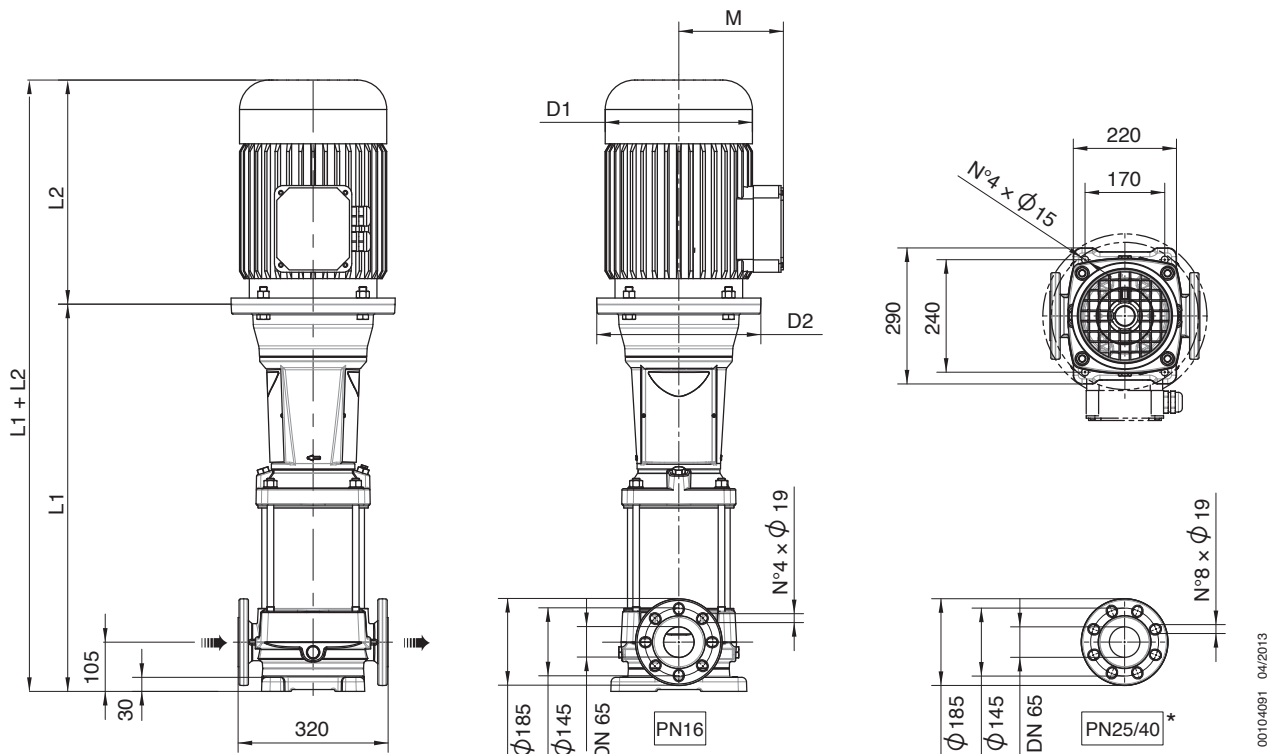


Performance curves of Q, H and P depend on the rpm number according to the following formulae:

$$Q_2 = Q_1 \cdot \left(\frac{n_2}{n_1}\right), \quad H_2 = H_1 \cdot \left(\frac{n_2}{n_1}\right)^2, \quad P_2 = P_1 \cdot \left(\frac{n_2}{n_1}\right)^3, \quad \eta \text{ remains approximately the same.}$$

The rpm number related to the performance curves (Q-H-P) is indicated in the power chart.
 Performance curves (Q-H-P) will change in case a motor with rpm number different from indicated values is used.
 Q=Capacity, H=Head, P=Power, η=Efficiency

Technical data 50Hz



F version The pump is supplied without counterflanges (Optional accessories, including bolts and joints).

* Please note: The holes are rotated compared to PN 16.

00104091 04/2013

Pump Model	Motor		Dimensions (mm)						Weight		
	kW	Size	L1	L2	M	D1	D2	L1 + L2	PUMP	MOTOR	ELECTRIC
EV 30/1	2,2	90	445	267	138	180	170	712	53	16	69
EV 30/2-2a	4	112	537	306	145	196	170	843	57	22,8	80
EV 30/2-1a	4	112	724	306	145	196	170	1030	74,5	22,8	97,5
EV 30/2	5,5	132	724	328	161	225	300	1052	74,5	34	108,5
EV 30/3-2a	5,5	132	806	328	161	225	300	1134	78,5	34	112,5
EV 30/3-1a	7,5	132	806	350	161	225	300	1156	78,5	36	114,5
EV 30/3	7,5	132	806	350	161	225	300	1238	78,5	36	114,5
EV 30/4-2a	7,5	132	888	350	161	225	300	1333	85,5	36	121,5
EV 30/4-1a	11	160	908	425	198	248	350	1333	85,5	58	143,5
EV 30/4	11	160	908	425	198	248	350	1415	85,5	58	143,5
EV 30/5-2a	11	160	990	425	198	248	350	1415	89,5	58	147,5
EV 30/5-1a	11	160	990	425	198	248	350	1415	89,5	58	147,5
EV 30/5	15	160	990	476	198	248	350	1548	89,5	64	153,5
EV 30/6-2a	15	160	1072	476	198	248	350	1548	93,5	64	157,5
EV 30/6-1a	15	160	1072	476	198	248	350	1548	93,5	64	157,5
EV 30/6	15	160	1072	476	198	248	350	1630	93,5	64	157,5
EV 30/7-2a	15	160	1154	476	198	248	350	1652	97,5	64	161,5
EV 30/7-1a	15	160	1154	476	198	248	350	1630	97,5	64	161,5
EV 30/7	18,5	160	1154	542	238	317	350	1696	97,5	89	186,5
EV 30/8-2a	18,5	160	1236	542	238	317	350	1778	101,5	89	190,5
EV 30/8-1a	18,5	160	1236	542	238	317	350	1778	101,5	89	190,5
EV 30/8	18,5	160	1236	542	238	317	350	1778	101,5	89	190,5
EV 30/9-2a	22	180	1318	542	238	360	350	1860	105,5	108,7	214
EV 30/9-1a	22	180	1318	542	238	360	350	1860	105,5	108,7	214
EV 30/9	22	180	1318	542	238	360	350	1860	105,5	108,7	214
EV 30/10-2a	22	180	1400	542	238	360	350	1942	112,5	108,7	221
EV 30/10-1a	22	180	1400	542	238	360	350	1942	112,5	108,7	221
EV 30/10	30	200	1405	658	297	399	400	2063	112,5	228	340,5
EV 30/11-2a	30	200	1487	658	297	399	400	2145	116,5	228	344,5
EV 30/11-1a	30	200	1487	658	297	399	400	2145	116,5	228	344,5
EV 30/11	30	200	1487	658	297	399	400	2145	116,5	228	344,5
EV 30/12-2a	30	200	1569	658	297	399	400	2227	120,5	228	348,5
EV 30/12-1a	30	200	1569	658	297	399	400	2227	120,5	228	348,5
EV 30/12	30	200	1569	658	297	399	400	2227	120,5	228	348,5
EV 30/13-2a	30	200	1651	658	297	399	400	2309	124,5	228	352,5
EV 30/13-1a	30	200	1651	658	297	399	400	2309	124,5	228	352,5
EV 30/13	30	200	1651	658	297	399	400	2309	124,5	228	352,5