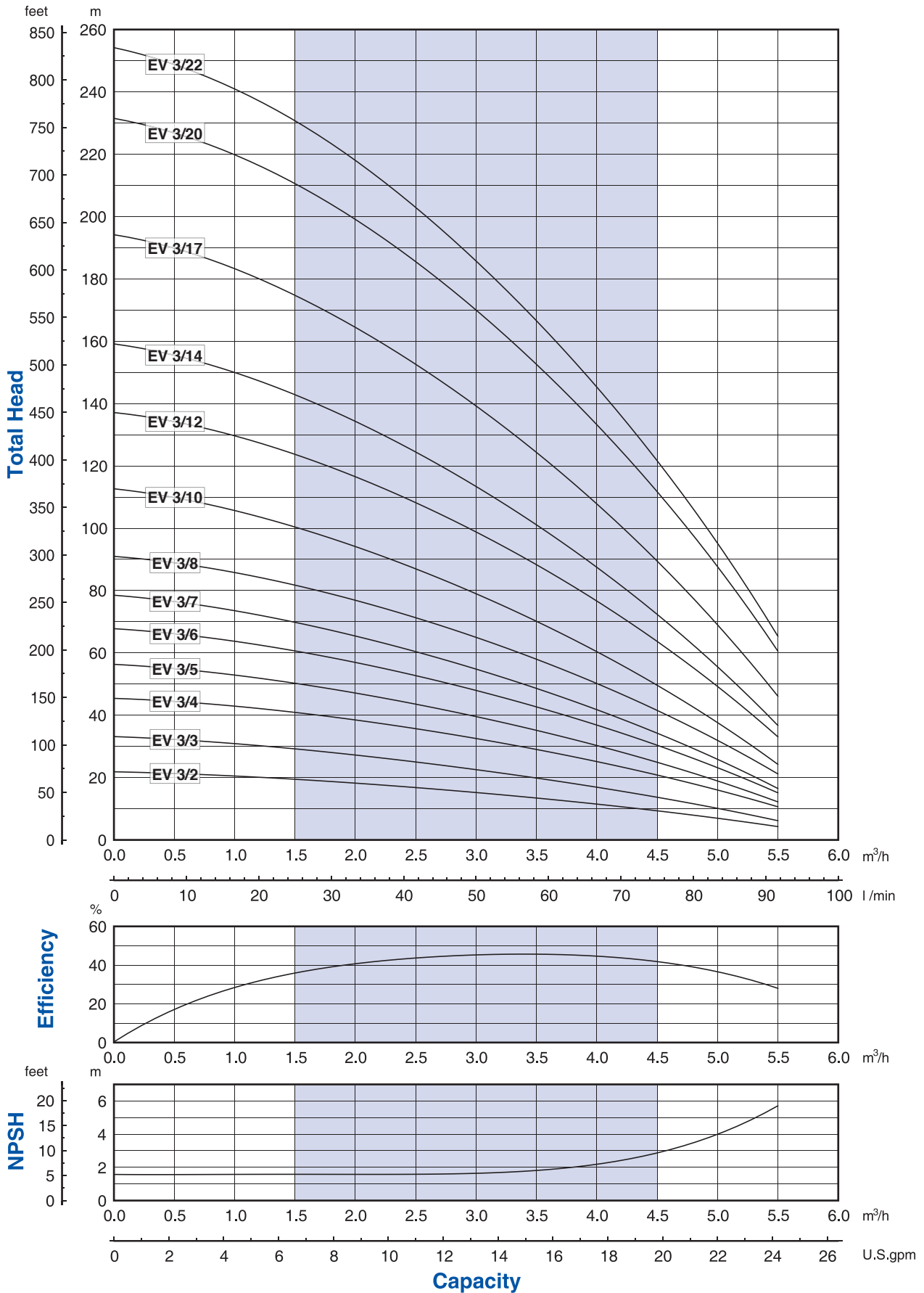


Performance curves 50Hz

MEI ≥ 0,60

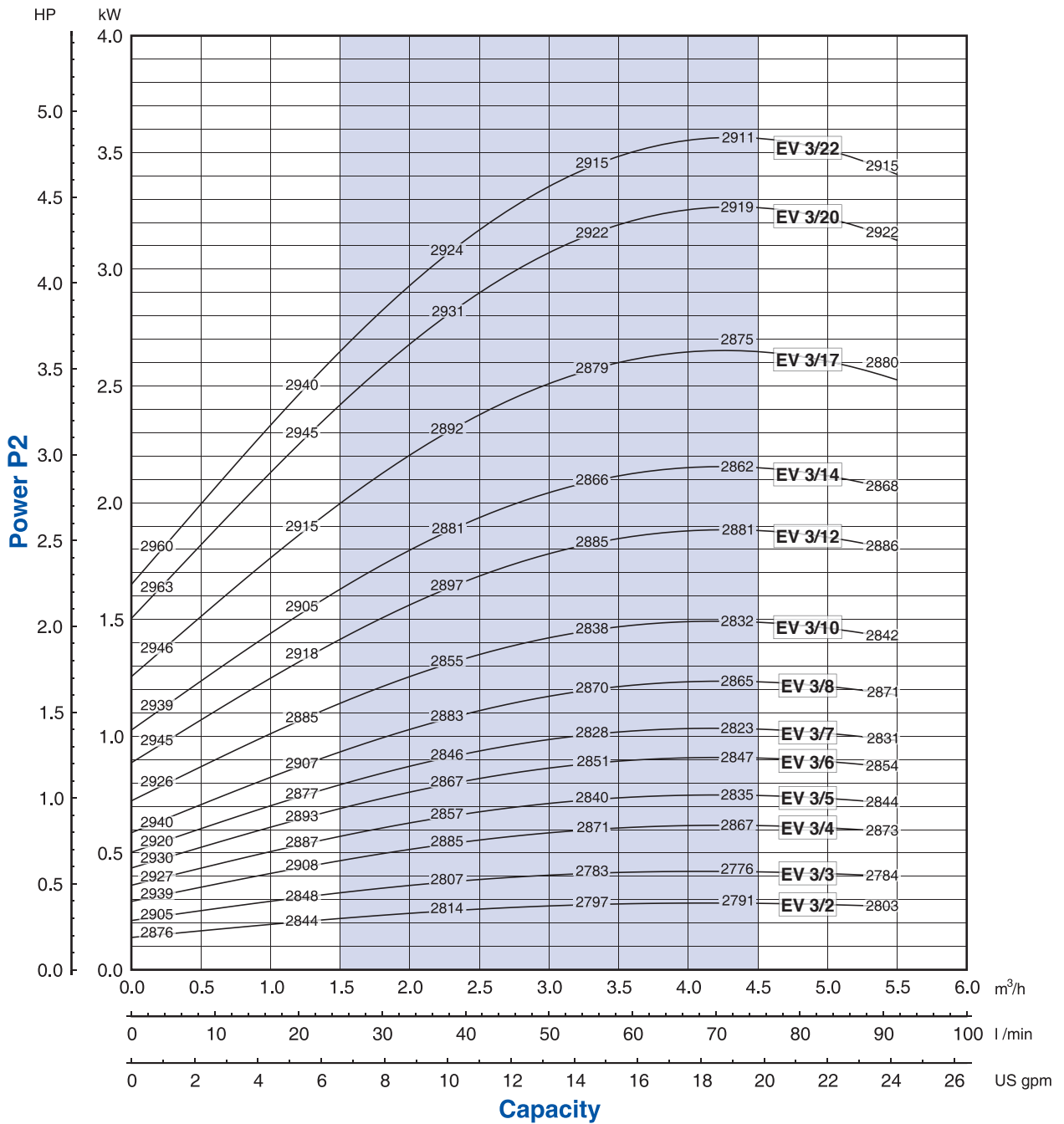


00110039 11/2013

The hydraulic characteristics are guaranteed, according to ISO standard 9906, grade 3.

It is our policy to continuously develop and improve our products, therefore, we reserve the right to amend specifications without prior notice.





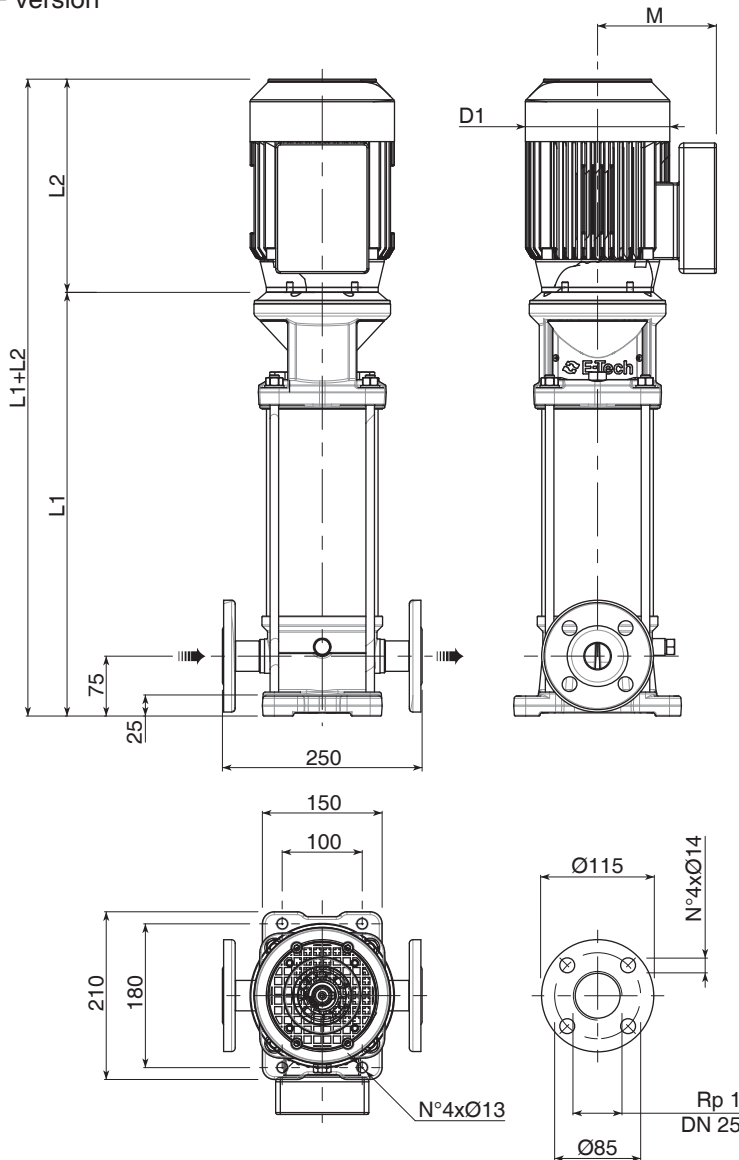
Performance curves of Q, H and P depend on the rpm number according to the following formulae:

$$Q_2 = Q_1 \cdot \left(\frac{n_2}{n_1}\right), \quad H_2 = H_1 \cdot \left(\frac{n_2}{n_1}\right)^2, \quad P_2 = P_1 \cdot \left(\frac{n_2}{n_1}\right)^3, \quad \eta \text{ remains approximately the same.}$$

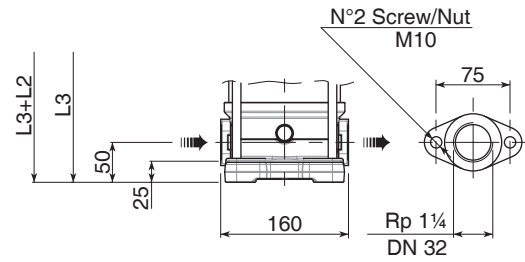
The rpm number related to the performance curves (Q-H-P) is indicated in the power chart.
 Performance curves (Q-H-P) will change in case a motor with rpm number different from indicated values is used.
 Q=Capacity, H=Head, P=Power, η=Efficiency

Technical data 50Hz

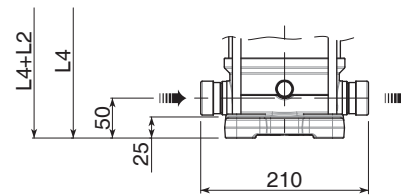
F version



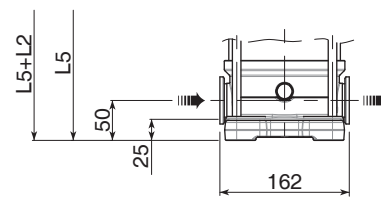
T version



V version



C version



F version Round flanges on body type PN25: the pump is supplied without counterflanges (Optional accessories, including bolts and joints).

T version Oval flanges on body type PN16: the pump is supplied without threaded oval counter flanges (Optional accessories, including bolts and joints).

V version Connections with rapid fittings type "Victaulic": the pump is supplied without the collars (Optional accessories).

C version Connections with round fittings type Clamp-FlexiClamp: the pump is supplied without collars (Optional accessories).

00114014 01/2012

Pump Model	Motor		Dimensions (mm)									Weight		
	kW	Size	L1 F	L2		L3 T	L4 V	L5 C	M		D1		Pump	Electric
				1-PHASE	3-PHASE				1-PHASE	3-PHASE	1-PHASE	3-PHASE		
EV 3/2	0.37	71	328.5	215	215	303.5	303.5	303.5	129	112	142	142	15	21
EV 3/3	0.55	71	352.5	215	215	327.5	327.5	327.5	129	112	142	142	15.5	21.5
EV 3/4	0.75	80	376.5	232	232	351.5	351.5	351.5	150	129	160	160	16	25.5
EV 3/5	0.75	80	400.5	232	232	375.5	375.5	375.5	150	129	160	160	17	26.5
EV 3/6	1.1	80	425	232	232	400	400	400	150	129	160	160	17.5	29
EV 3/7	1.1	80	449	232	232	424	424	424	150	129	160	160	18	29.5
EV 3/8	1.5	90	483	267	267	458	458	458	160	138	180	180	19	33
EV 3/10	1.5	90	531	267	267	506	506	506	160	138	180	180	20.5	34.5
EV 3/12	2.2	90	579	267	267	554	554	554	160	138	180	180	21.5	37.5
EV 3/14	2.2	90	627	267	267	602	602	602	160	138	180	180	23	39
EV 3/17	3	100	709	-	267	-	684	684	-	138	-	180	25	44
EV 3/20	4	112	781	-	306	-	756	756	-	145	-	196	27	50
EV 3/22	4	112	829	-	306	-	804	804	-	145	-	196	28.5	51.5

• Standard efficiency motors IE1