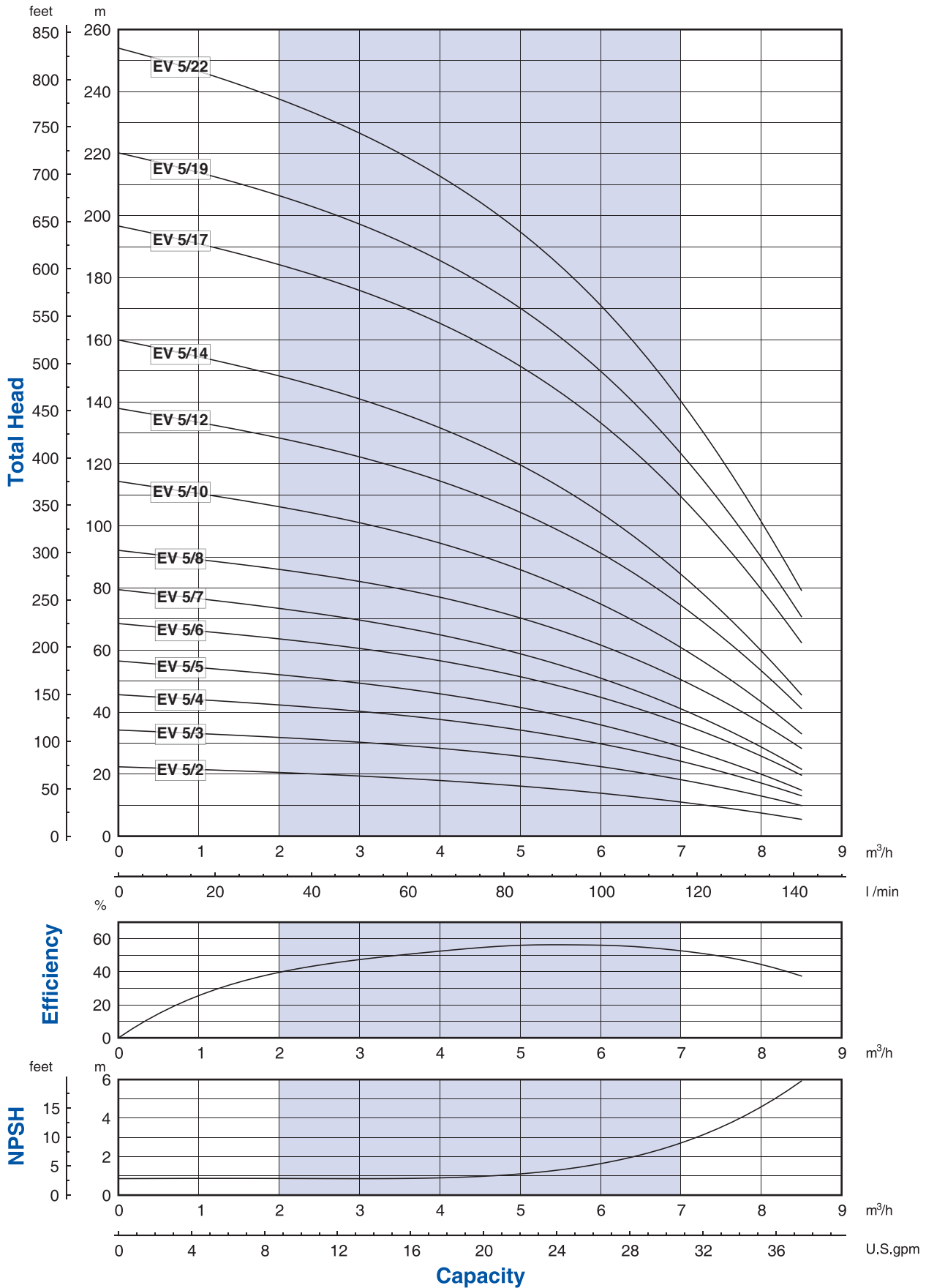


## Performance curves 50Hz

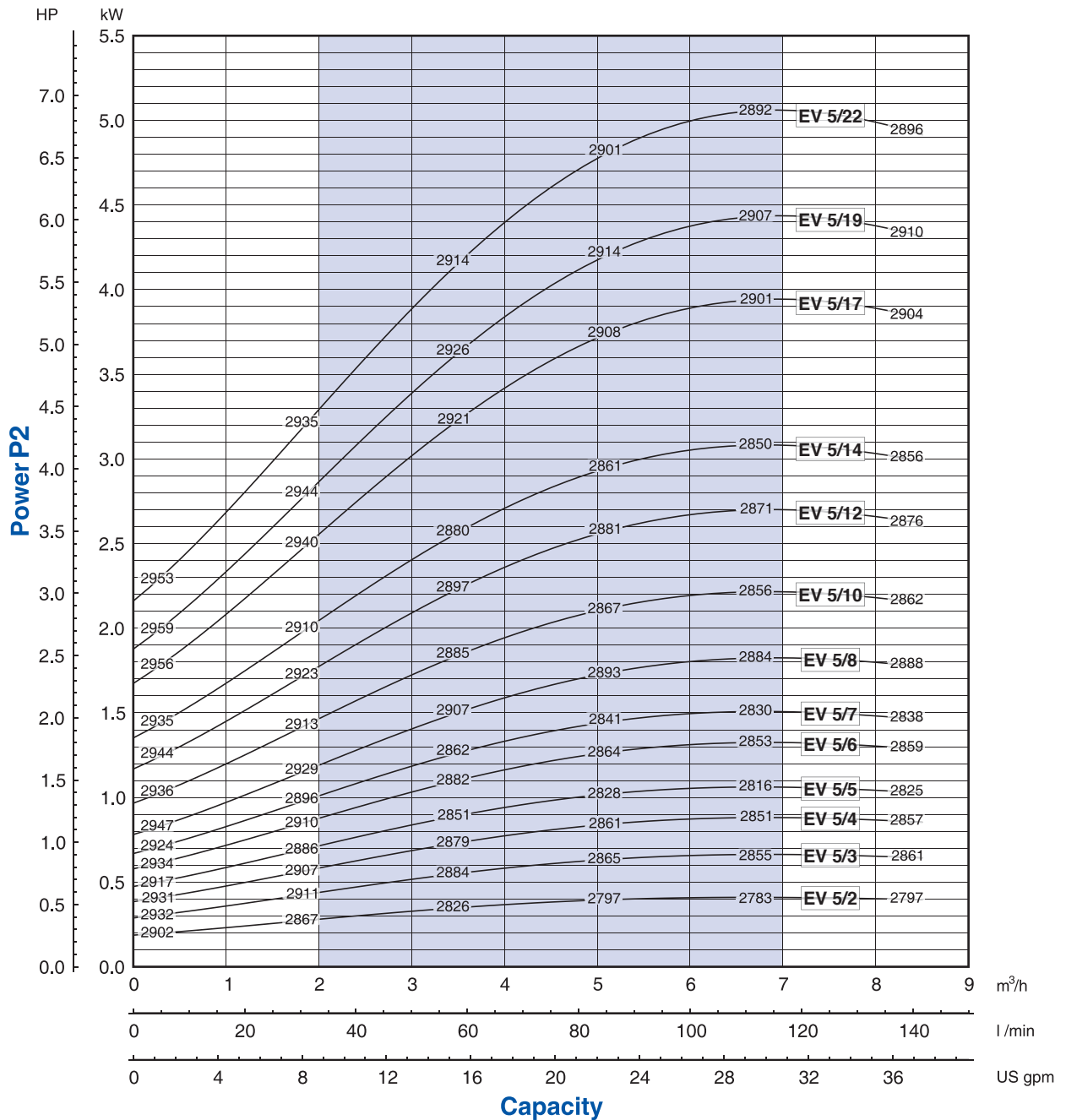
MEI ≥ 0,70



00110040 11/2013

The hydraulic characteristics are guaranteed, according to ISO standard 9906, grade 3.

It is our policy to continuously develop and improve our products, therefore, we reserve the right to amend specifications without prior notice.



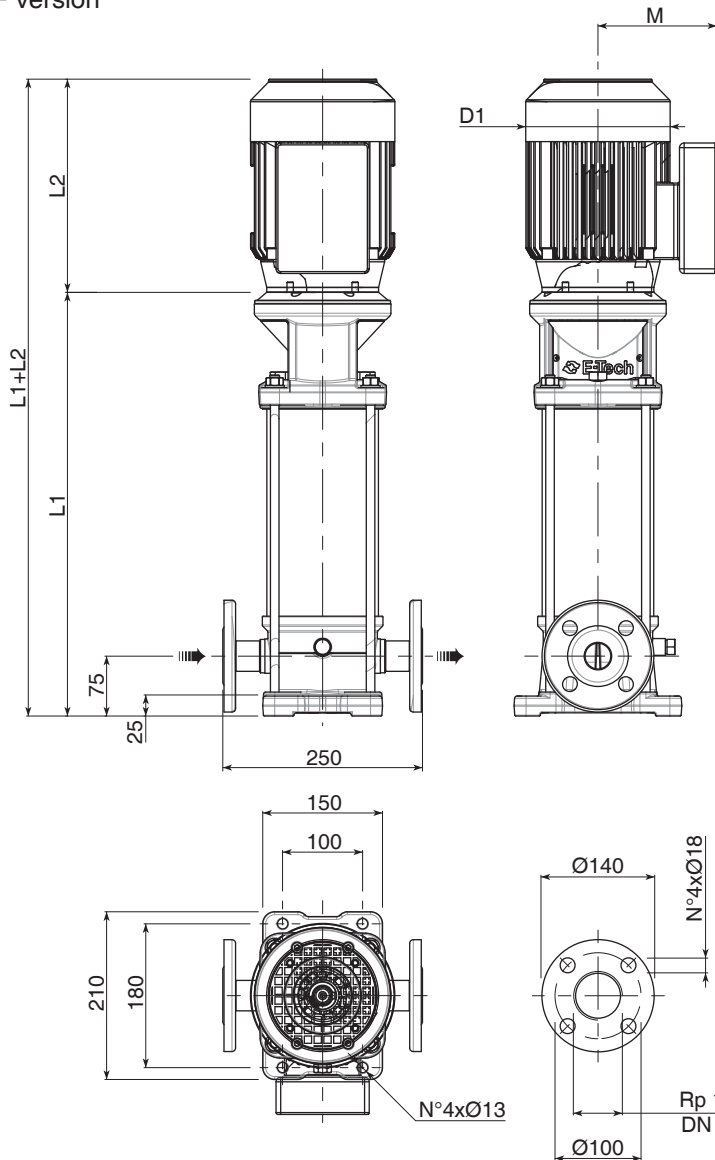
Performance curves of Q, H and P depend on the rpm number according to the following formulae:

$$Q_2 = Q_1 \cdot \left(\frac{n_2}{n_1}\right), \quad H_2 = H_1 \cdot \left(\frac{n_2}{n_1}\right)^2, \quad P_2 = P_1 \cdot \left(\frac{n_2}{n_1}\right)^3, \quad \eta \text{ remains approximately the same.}$$

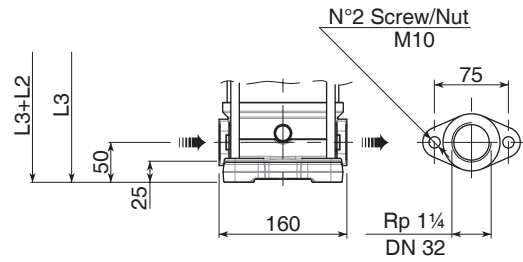
The rpm number related to the performance curves (Q-H-P) is indicated in the power chart.  
 Performance curves (Q-H-P) will change in case a motor with rpm number different from indicated values is used.  
 Q=Capacity, H=Head, P=Power, η=Efficiency

## Technical data 50Hz

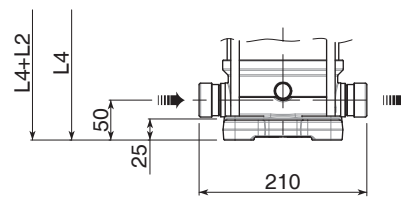
### F version



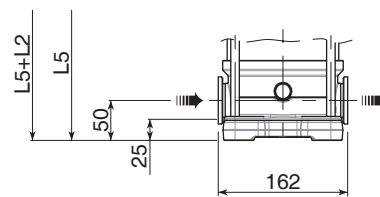
### T version



### V version



### C version



F version Round flanges on body type PN25: the pump is supplied with joints and bolts without counterflanges (Optional accessories).

T version Oval flanges on body type PN16: the pump is supplied without oval counter flanges for pipe to be screwed, joints and bolts (Optional accessories).

V version Connections with rapid fittings type "Victaulic": the pump is supplied without the collars (Optional accessories).

C version Connections with round fittings type Clamp-FlexiClamp: the pump is supplied without collars (Optional accessories).

00114014 01/2012

Pump Model	Motor		Dimensions (mm)											Weight	
	kW	Size	L1 F	L2		L3 T	L4 V	L5 C	M		D1		Pump	Electric Pump	
				1-PHASE	3-PHASE				1-PHASE	3-PHASE	1-PHASE	3-PHASE			
EV 5/2	0.55	71	328.5	215	215	303.5	303.5	303.5	129	112	142	142	15.5	21.5	
EV 5/3	0.75	80	352.5	232	232	327.5	327.5	327.5	150	129	160	160	16	25.5	
EV 5/4	1.1	80	376.5	232	232	351.5	351.5	351.5	150	129	160	160	16.5	28	
EV 5/5	1.1	80	400.5	232	232	375.5	375.5	375.5	150	129	160	160	17	28.5	
EV 5/6	1.5	90	435	267	267	410	410	410	160	138	180	180	18	32	
EV 5/7	1.5	90	459	267	267	434	434	434	160	138	180	180	19	33	
EV 5/8	2.2	90	483	267	267	458	458	458	160	138	180	180	19.5	35.5	
EV 5/10	2.2	90	531	267	267	506	506	506	160	138	180	180	20.5	36.5	
EV 5/12	3	100	589	-	267	564	564	564	-	138	-	180	22.5	41	
EV 5/14	3	100	637	-	267	612	612	612	-	138	-	180	24	43	
EV 5/17	4	112	709	-	306	-	684	684	-	145	-	196	25.5	48.5	
EV 5/19	5.5	132	779.5	-	328	-	754.5	754.5	-	161	-	225	32	66	
EV 5/22	5.5	132	851.5	-	328	-	826.5	826.5	-	161	-	225	33.5	67.5	

• Standard efficiency motors IE1