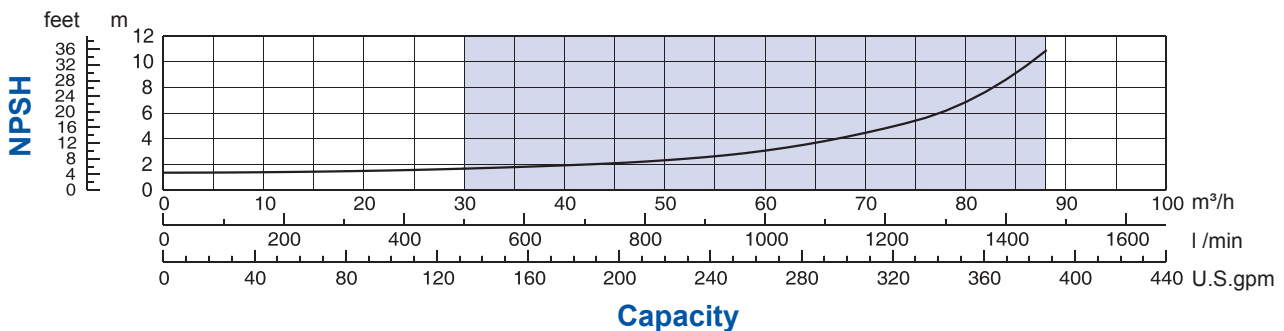
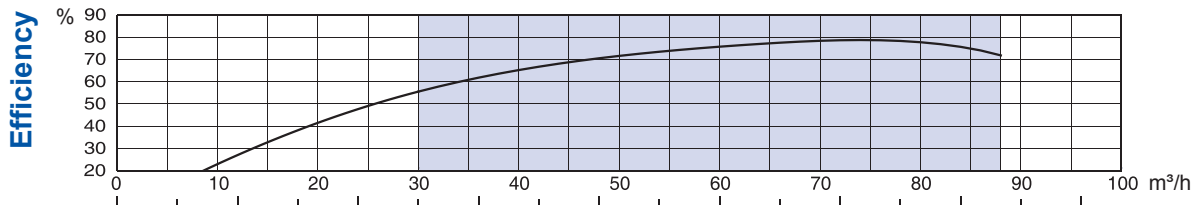
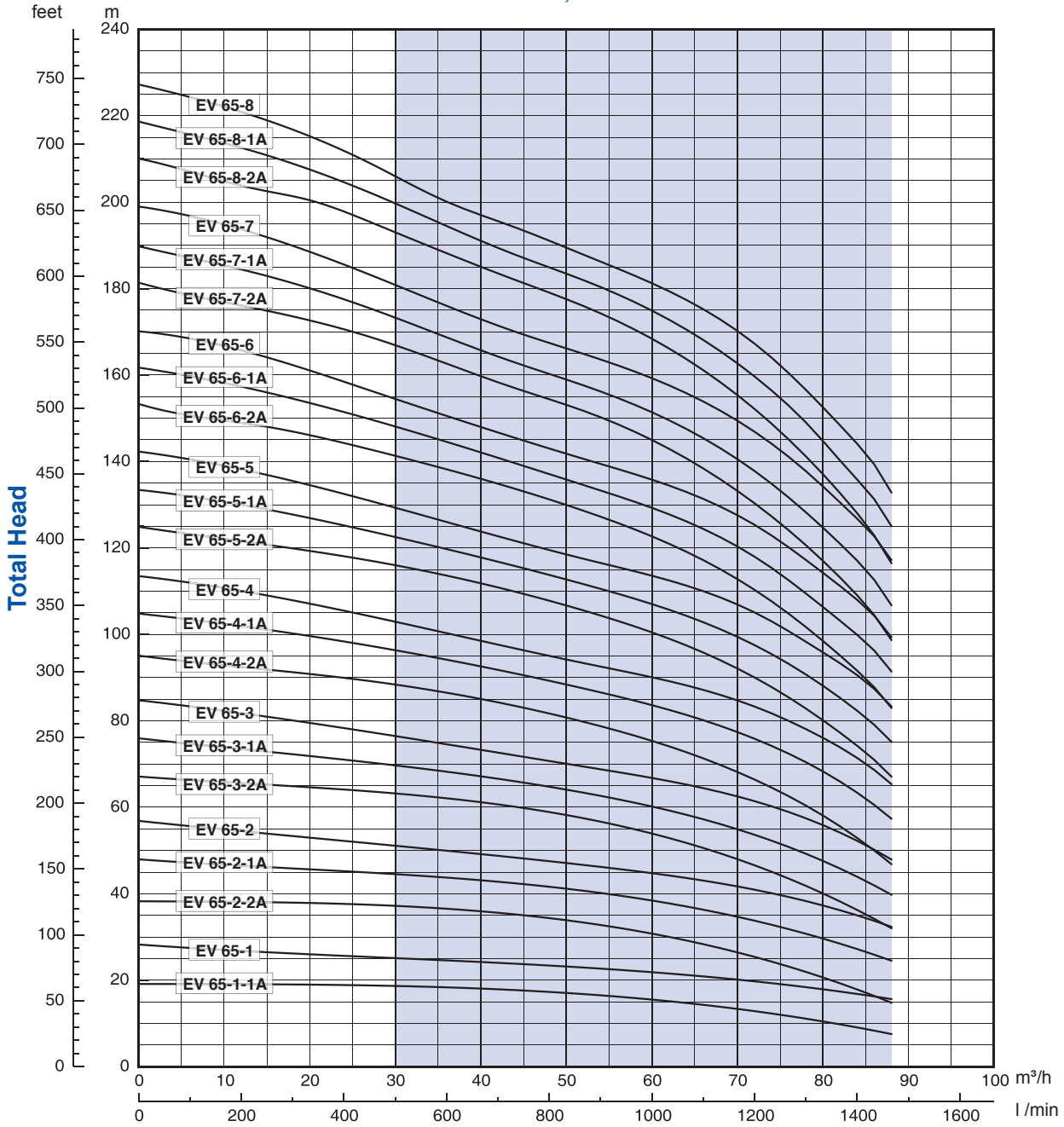


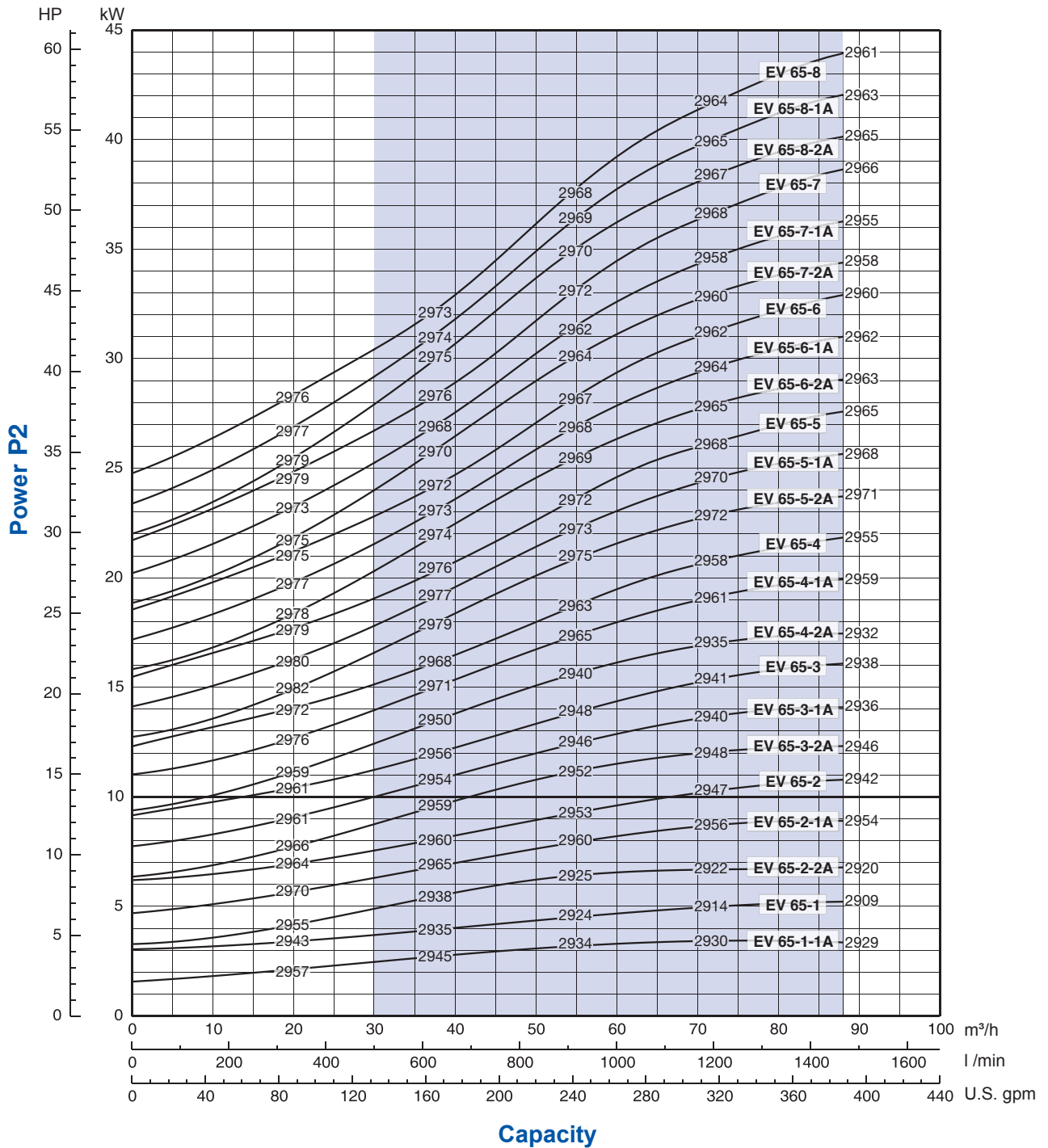
## Performance curves 50Hz

MEI ≥ 0,70



The hydraulic characteristics are guaranteed, according to ISO standard 9906, grade 3.

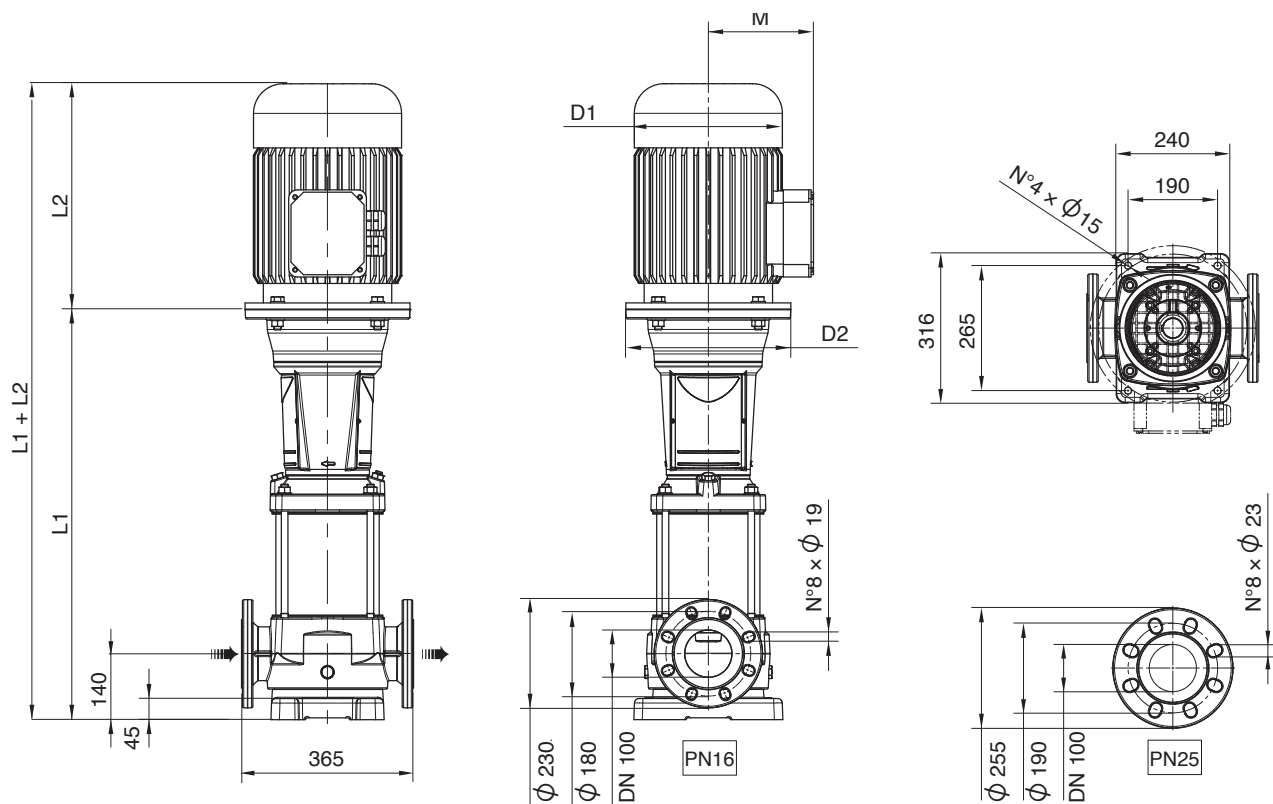
It is our policy to continuously develop and improve our products, therefore, we reserve the right to amend specifications without prior notice.



Performance curves of Q, H and P depend on the rpm number according to the following formulae:

$$Q_2 = Q_1 \cdot \left(\frac{n_2}{n_1}\right), \quad H_2 = H_1 \cdot \left(\frac{n_2}{n_1}\right)^2, \quad P_2 = P_1 \cdot \left(\frac{n_2}{n_1}\right)^3, \quad \eta \text{ remains approximately the same.}$$

The rpm number related to the performance curves (Q-H-P) is indicated in the power chart.  
 Performance curves (Q-H-P) will change in case a motor with rpm number different from indicated values is used.  
 Q=Capacity, H=Head, P=Power, η=Efficiency



00114096 10/2013

F version The pump is supplied without counterflanges (Optional accessories, including bolts and joints).

Pump Model	Motor			Dimensions (mm)						Weight (kg)		
	PN	kW	Size	L1	L2	M	D1	D2	L1 + L2	PUMP	MOTOR	ELECTRIC
EV 65/1-1a	16	4	112	550,1	306	145	196	170	856,1	61	22,8	83,8
EV 65/1	16	5,5	132	737,1	328	161	225	300	1065,1	81	34	115
EV 65/2-2a	16	7,5	132	829,2	350	161	225	300	1179,2	85,5	36	121,5
EV 65/2-1a	16	11	160	849,2	425	198	248	350	1274,2	88,5	58	146,5
EV 65/2	16	11	160	849,2	425	198	248	350	1274,2	88,5	58	146,5
EV 65/3-2a	16	15	160	941,3	476	198	248	350	1417,3	93	64	157
EV 65/3-1a	16	15	160	941,3	476	198	248	350	1417,3	93	64	157
EV 65/3	16	18,5	160	941,3	542	235	317	350	1483,3	93	88,9	181,9
EV 65/4-2a	16	18,5	160	1033,4	542	235	317	350	1575,4	97,5	88,9	186,4
EV 65/4-1a	16	22	180	1033,4	542	238	317	350	1575,4	98	108,7	206,7
EV 65/4	16	22	180	1033,4	542	238	317	350	1575,4	98	108,7	206,7
EV 65/5-2a	16	30	200	1130,5	658	300	399	400	1788,5	105,5	228	333,5
EV 65/5-1a	16	30	200	1130,5	658	300	399	400	1788,5	105,5	228	333,5
EV 65/5	16	30	200	1130,5	658	300	399	400	1788,5	105,5	228	333,5
EV 65/6-2a	16	30	200	1222,6	658	300	399	400	1880,6	110	228	338
EV 65/6-1a	16	37	200	1222,6	658	300	399	400	1880,6	110	242	352
EV 65/6	25	37	200	1222,6	658	300	399	400	1880,6	110	242	352
EV 65/7-2a	25	37	200	1314,7	658	300	399	400	1972,7	114,5	242	356,5
EV 65/7-1a	25	37	200	1314,7	658	300	399	400	1972,7	114,5	242	356,5
EV 65/7	25	45	225	1314,7	699	335	465	450	2013,7	117,5	308	425,5
EV 65/8-2a	25	45	225	1406,8	699	335	465	450	2105,8	122	308	430
EV 65/8-1a	25	45	225	1406,8	699	335	465	450	2105,8	122	308	430
EV 65/8	25	45	225	1406,8	699	335	465	450	2105,8	122	308	430