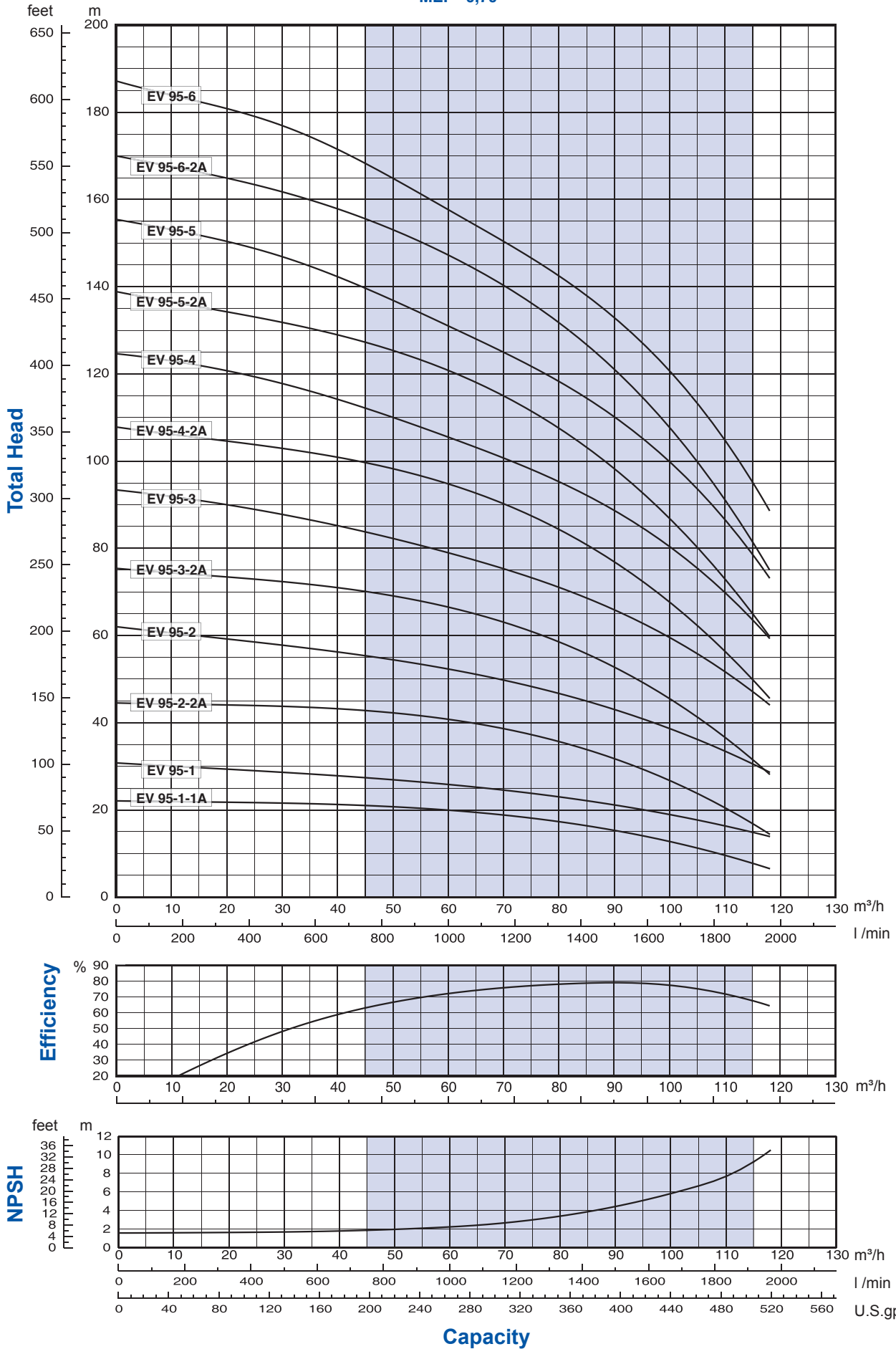


## Performance curves 50Hz

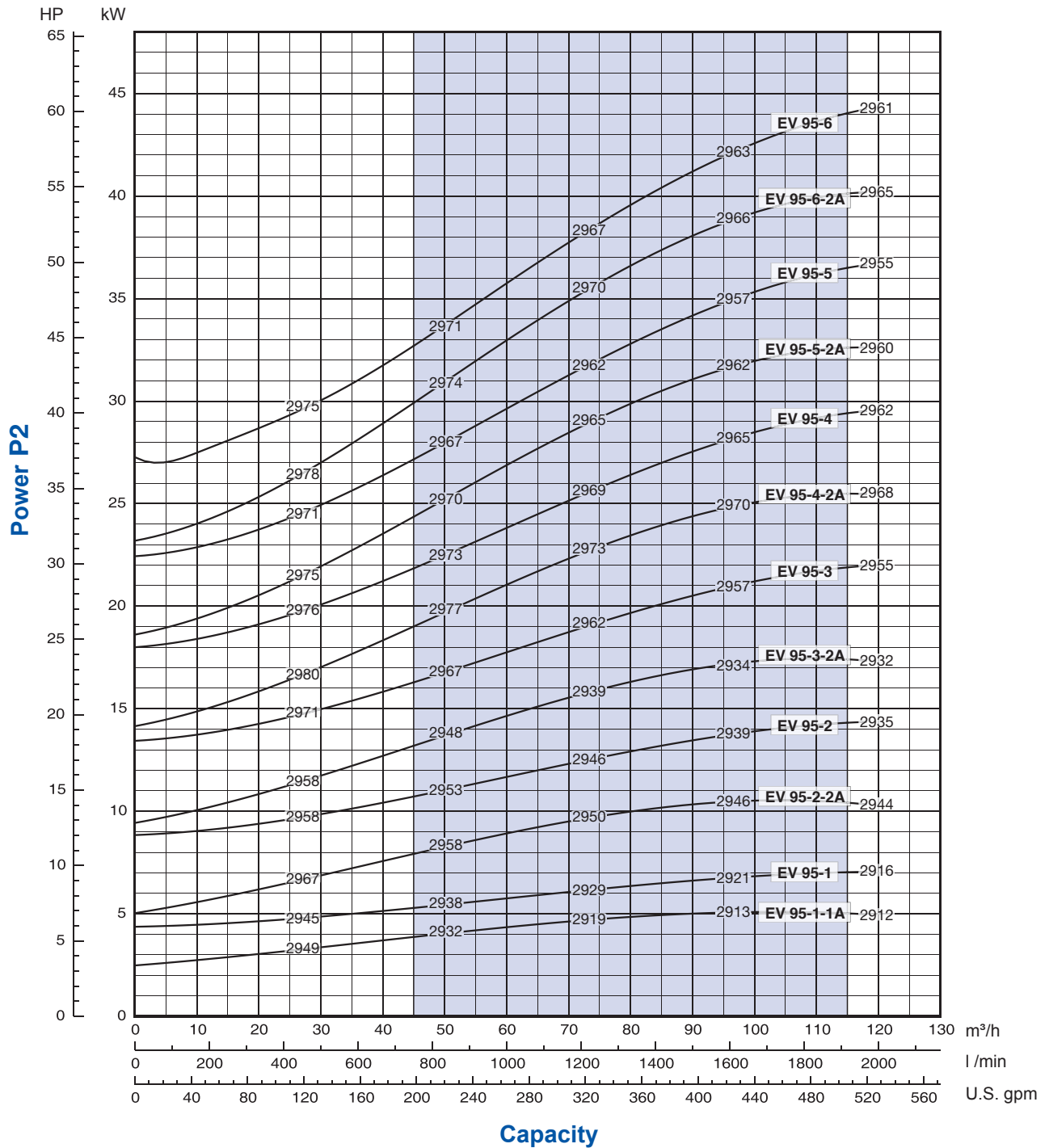
MEI ≥ 0,70



00110096 01/2014

The hydraulic characteristics are guaranteed, according to ISO standard 9906, grade 3.

It is our policy to continuously develop and improve our products, therefore, we reserve the right to amend specifications without prior notice.

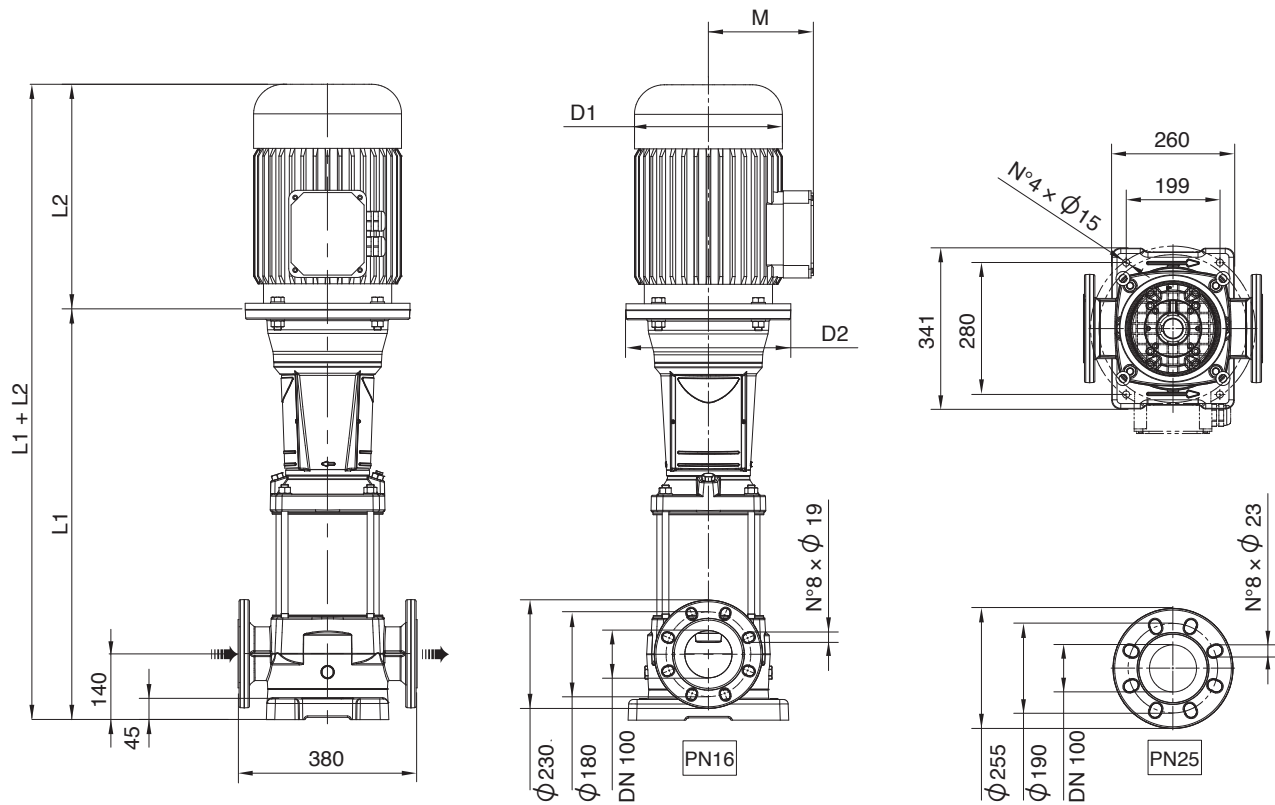


Performance curves of Q, H and P depend on the rpm number according to the following formulae:

$$Q_2 = Q_1 \cdot \left(\frac{n_2}{n_1}\right), \quad H_2 = H_1 \cdot \left(\frac{n_2}{n_1}\right)^2, \quad P_2 = P_1 \cdot \left(\frac{n_2}{n_1}\right)^3, \quad \eta \text{ remains approximately the same.}$$

The rpm number related to the performance curves (Q-H-P) is indicated in the power chart.  
 Performance curves (Q-H-P) will change in case a motor with rpm number different from indicated values is used.  
 Q=Capacity, H=Head, P=Power, η=Efficiency

## Technical data 50Hz



00114087 10/2013

F version The pump is supplied without counterflanges (Optional accessories, including bolts and joints).

Pump Model	Motor			Dimensions (mm)						Weight (kg)		
	PN	kW	Size	L1	L2	M	D1	D2	L1 + L2	PUMP	MOTOR	ELECTRIC
EV 95/1-1a	16	5,5	132	737,1	328	161	225	300	1065,1	82,5	34	116,5
EV 95/1	16	7,5	132	737,1	350	161	225	300	1087,1	82,5	36	118,5
EV 95/2-2a	16	11	160	849,2	425	198	248	350	1274,2	89	58	147
EV 95/2	16	15	160	849,2	476	198	248	350	1325,2	89	64	153
EV 95/3-2a	16	18,5	160	941,3	542	235	317	350	1483,3	93	88,9	181,9
EV 95/3	16	22	180	941,3	542	238	317	350	1483,3	93	108,7	201,7
EV 95/4-2a	16	30	200	1038,4	658	300	399	400	1696,4	100	228	328
EV 95/4	16	30	200	1038,4	658	300	399	400	1696,4	100	228	328
EV 95/5-2a	16	37	200	1130,5	658	300	399	400	1788,5	104	242	346
EV 95/5	16	37	200	1130,5	658	300	399	400	1788,5	104	242	346
EV 95/6-2a	25	45	225	1222,6	699	335	465	450	1921,6	110,5	308	418,5
EV 95/6	25	45	225	1222,6	699	335	465	450	1921,6	110,5	308	418,5