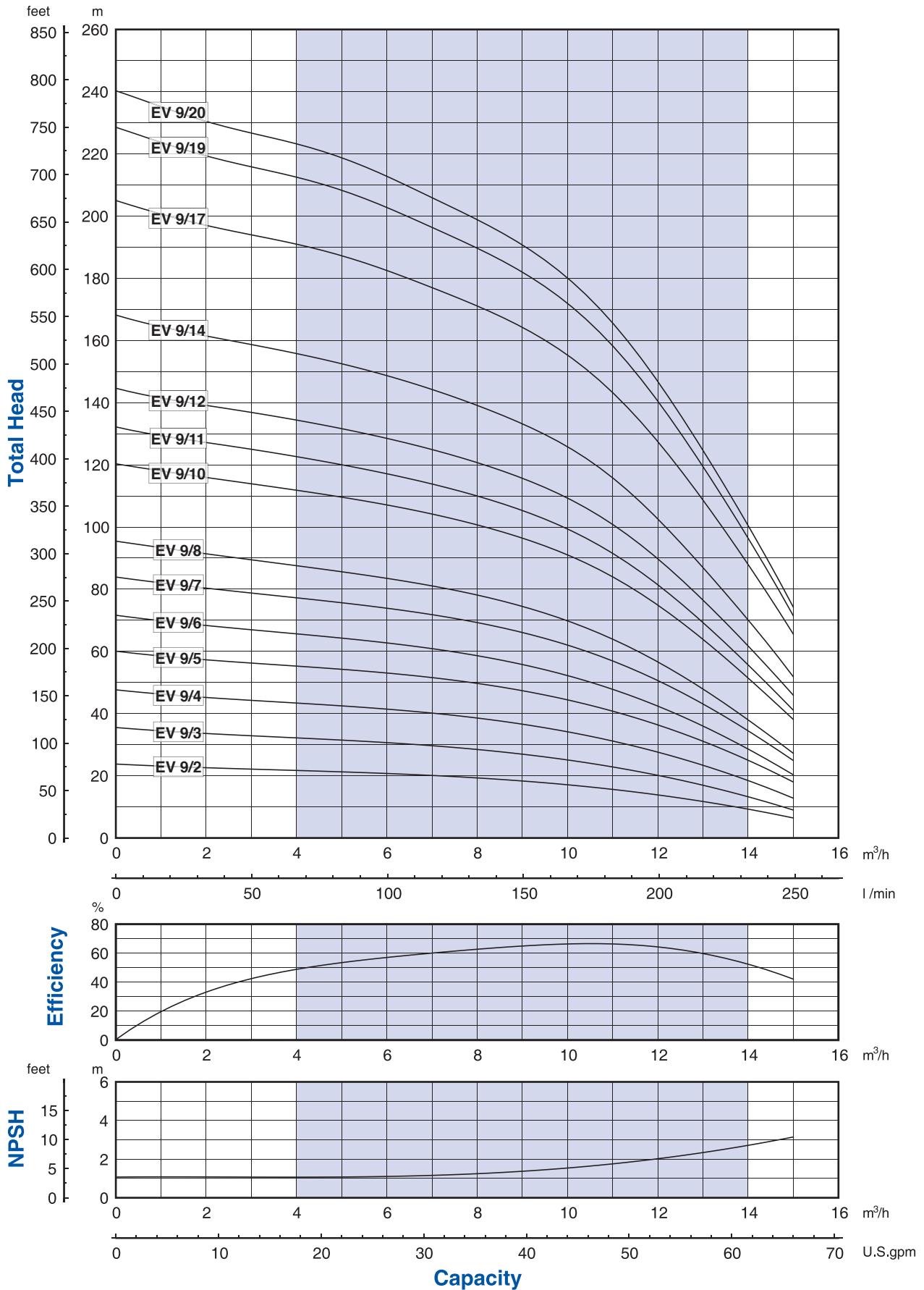


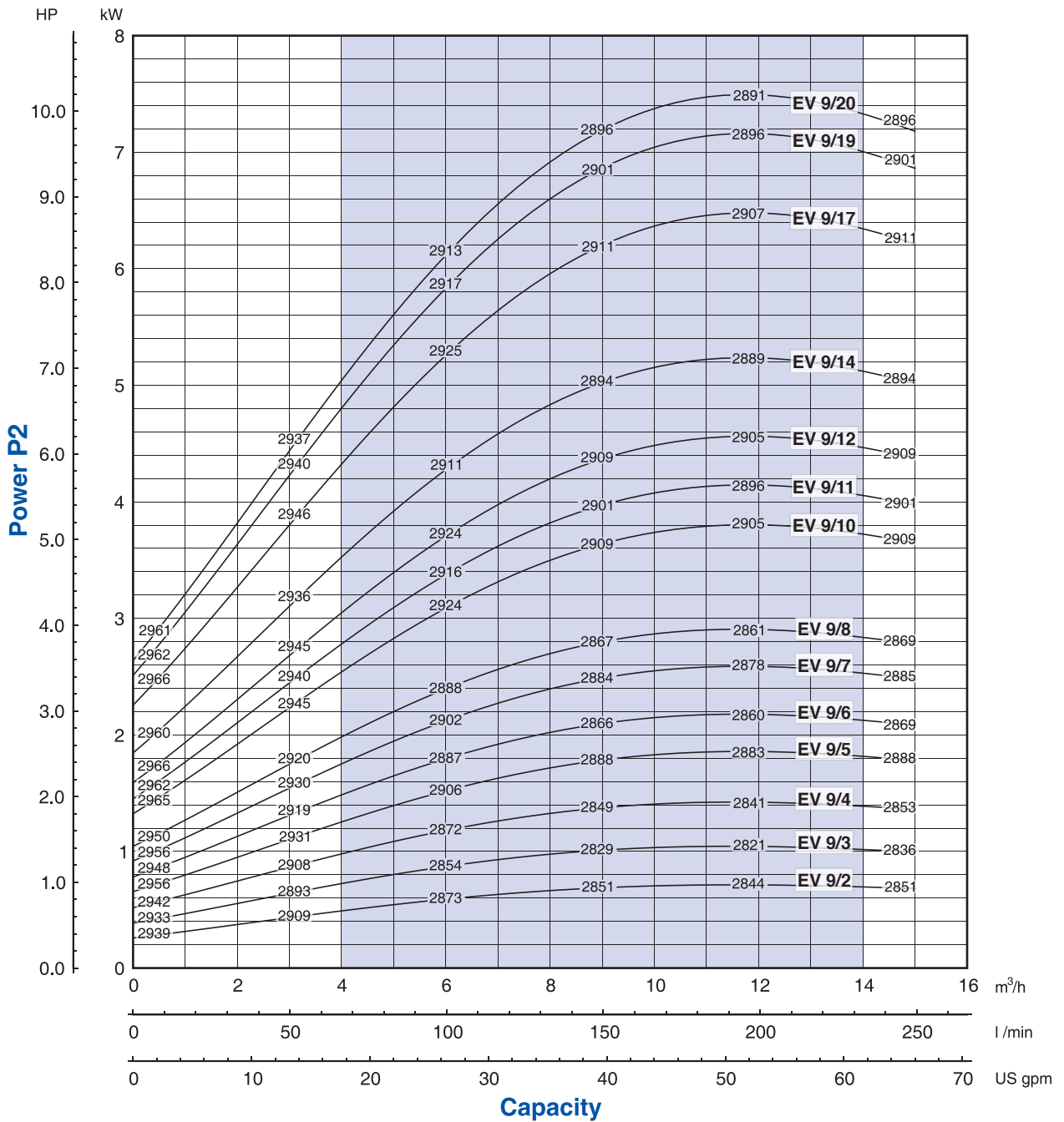
## Performance curves 50Hz

MEI ≥ 0,70



00110041 11/2013

The hydraulic characteristics are guaranteed, according to ISO standard 9906, grade 3.



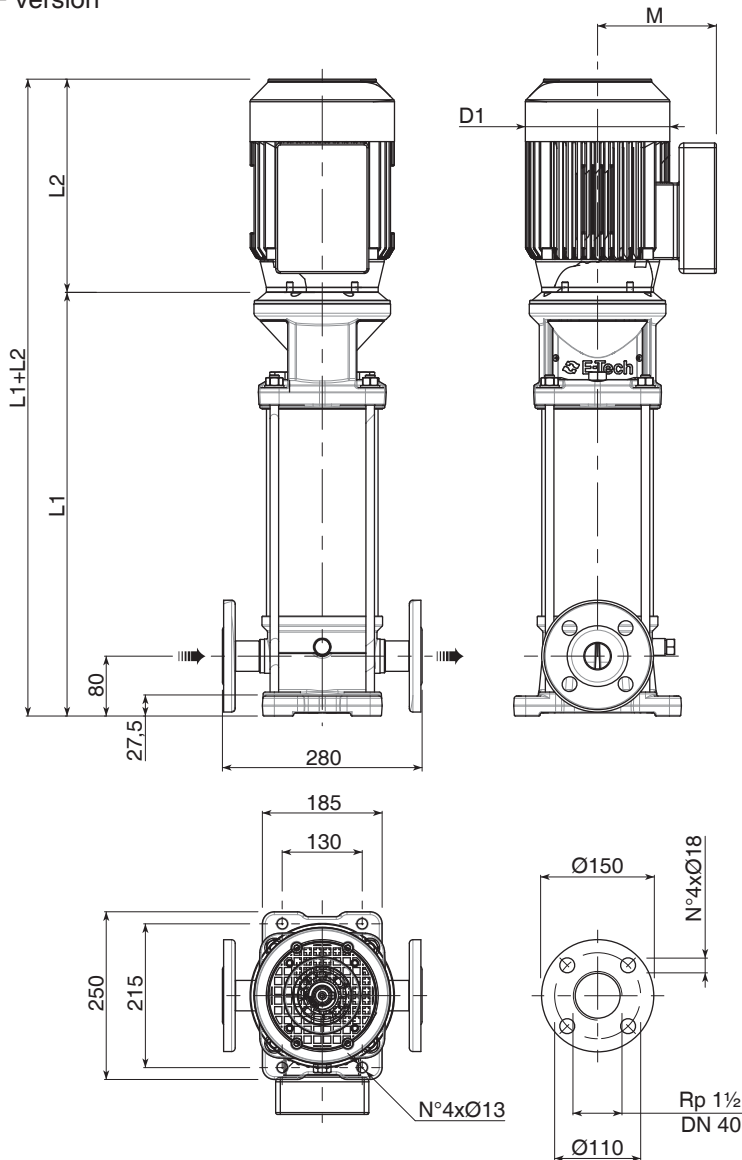
Performance curves of Q, H and P depend on the rpm number according to the following formulae:

$$Q_2 = Q_1 \cdot \left(\frac{n_2}{n_1}\right), \quad H_2 = H_1 \cdot \left(\frac{n_2}{n_1}\right)^2, \quad P_2 = P_1 \cdot \left(\frac{n_2}{n_1}\right)^3, \quad \eta \text{ remains approximately the same.}$$

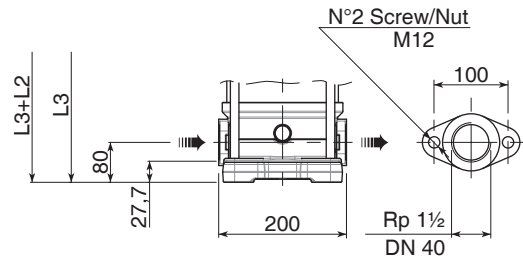
The rpm number related to the performance curves (Q-H-P) is indicated in the power chart.  
 Performance curves (Q-H-P) will change in case a motor with rpm number different from indicated values is used.  
 Q=Capacity, H=Head, P=Power, η=Efficiency

## Technical data 50Hz

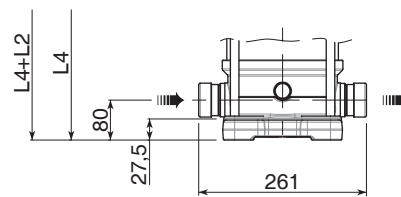
### F version



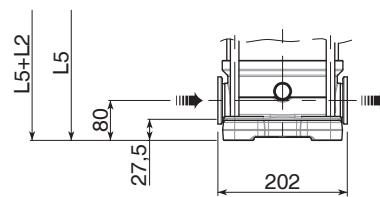
### T version



### V version



### C version



F version Round flanges on body type PN25: the pump is supplied without counterflanges (Optional accessories, including bolts and joints).

T version Oval flanges on body type PN16: the pump is supplied without threaded oval counter flanges (Optional accessories, including bolts and joints).

V version Connections with rapid fittings type "Victaulic": the pump is supplied without the collars (Optional accessories).

C version Connections with round fittings type Clamp-FlexiClamp: the pump is supplied without collars (Optional accessories).

00114014 01/2012

Pump Model	Motor		Dimensions (mm)											Weight	
	kW	Size	L1 F	L2		L3 T	L4 V	L5 C	M		D1		Pump	Electric Pump	
				1-PHASE	3-PHASE				1-PHASE	3-PHASE	1-PHASE	3-PHASE			
EV 9/2	0.75	80	347.5	232	232	347.5	347.5	347.5	150	129	160	160	17.5	27	
EV 9/3	1.1	80	377.5	232	232	377.5	377.5	377.5	150	129	160	160	18	29.5	
EV 9/4	1.5	90	417.5	267	267	417.5	417.5	417.5	160	138	180	180	19	33	
EV 9/5	2.2	90	448	267	267	448	448	448	160	138	180	180	20	36	
EV 9/6	2.2	90	478	267	267	478	478	478	160	138	180	180	21	37	
EV 9/7	3	100	518	-	267	518	518	518	-	138	-	180	22	41	
EV 9/8	3	100	548	-	267	548	548	548	-	138	-	180	23	42	
EV 9/10	4	112	608	-	306	608	608	608	-	145	-	196	24.5	47.5	
EV 9/11	4	112	638	-	306	638	638	638	-	145	-	196	25	48	
EV 9/12	5.5	132	690.5	-	328	690.5	690.5	690.5	-	161	-	225	30.5	64.5	
EV 9/14	5.5	132	750.5	-	328	-	750.5	750.5	-	161	-	225	32	66	
EV 9/17	7.5	132	840.5	-	350	-	840.5	840.5	-	161	-	225	34.5	70.5	
EV 9/19	7.5	132	900.5	-	350	-	900.5	900.5	-	161	-	225	36	72	
EV 9/20	7.5	132	930.5	-	350	-	930.5	930.5	-	161	-	225	36.5	72.5	