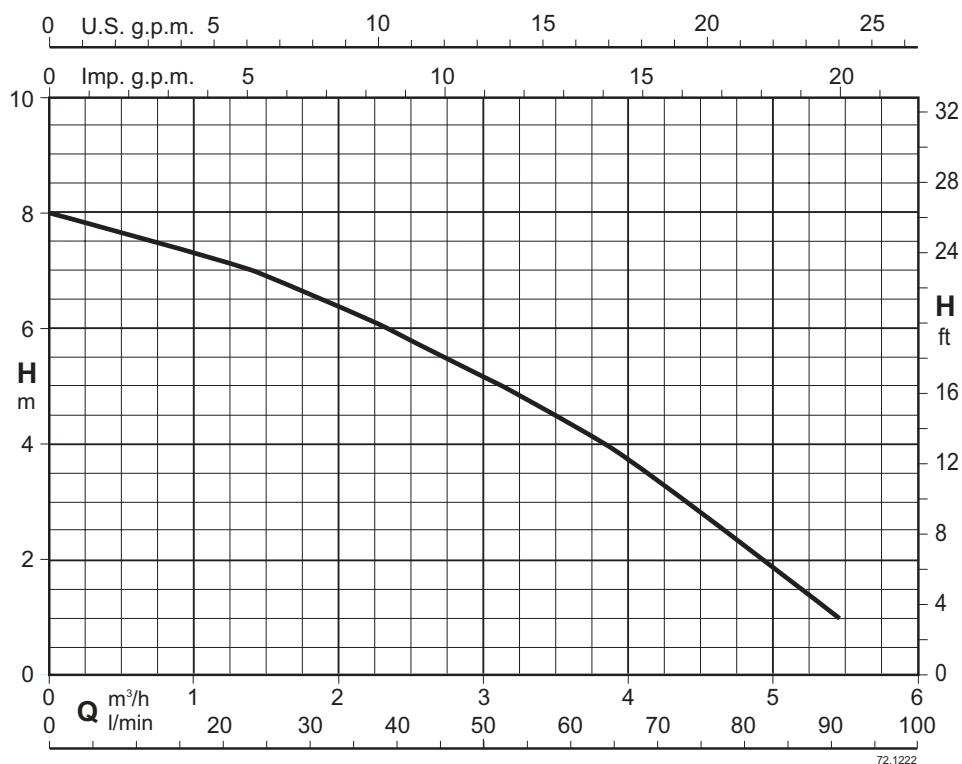




Q m ³ /h	0	1,2	2,4	3,6	4,8	5,4
Q l/min	0	20	40	60	80	90
H m	8	7,1	5,9	4,3	2,2	1,1



Automatic waste water lifting station

Construction

This macerating pumping system has been designed to pump away the waste water from a WC and a washbasin.

GEOTRIT permette di arrivare all'apparato fognario quando questi non si trova nella posizione consona per favorire un allacciamento normale.

Installed and used correctly, this unit will give consistent and reliable service.

GEOTRIT is provided with flexible sleeves, elbow, metal hose clips.



Applications

GEOTRIT can be used for drains from WCs and washbasins

Operating conditions

Voltage: 220-240 V

Frequency: 50 Hz

Degree of protection: IP44

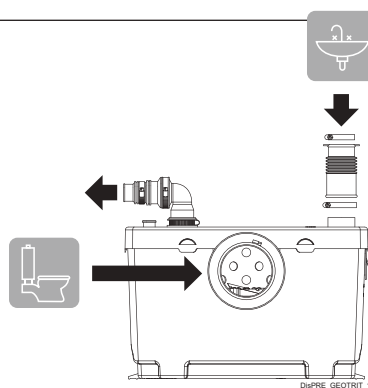
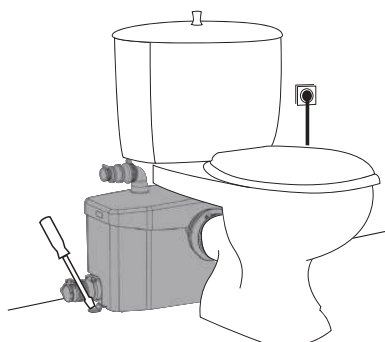
Maximum power rating: 400 W

Maximum current consumption: 1,9 A

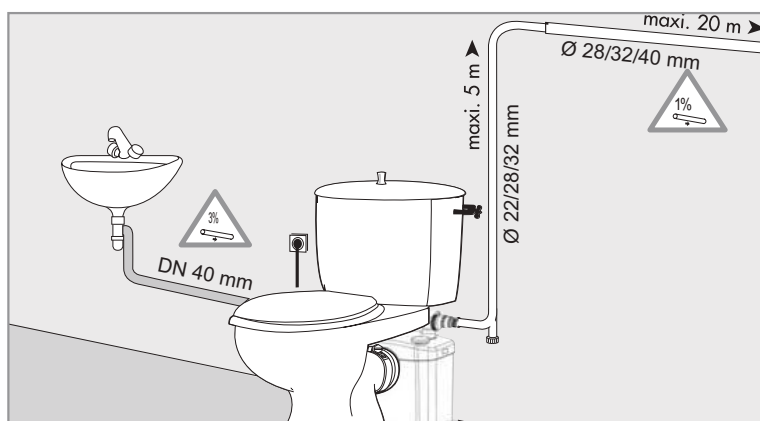
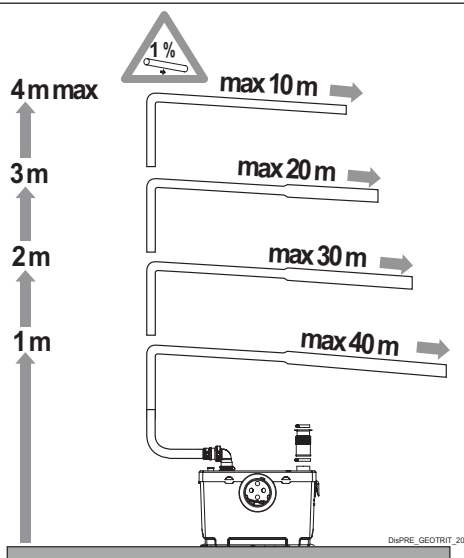
Vertical pumping: max. 4 m

Liquid temperature up to 35° C.

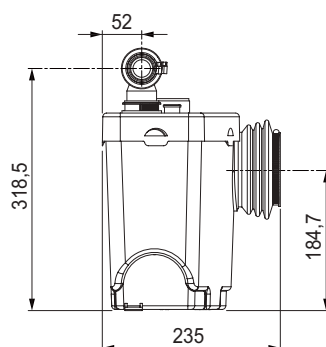
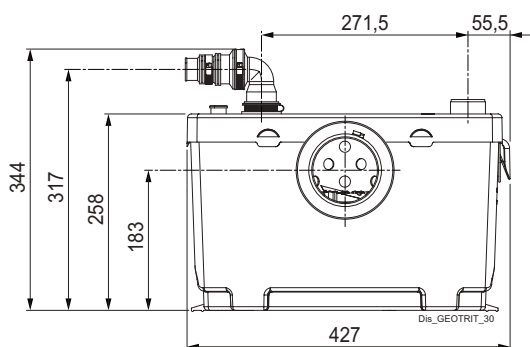
Installation



Performance



Dimensions and weights

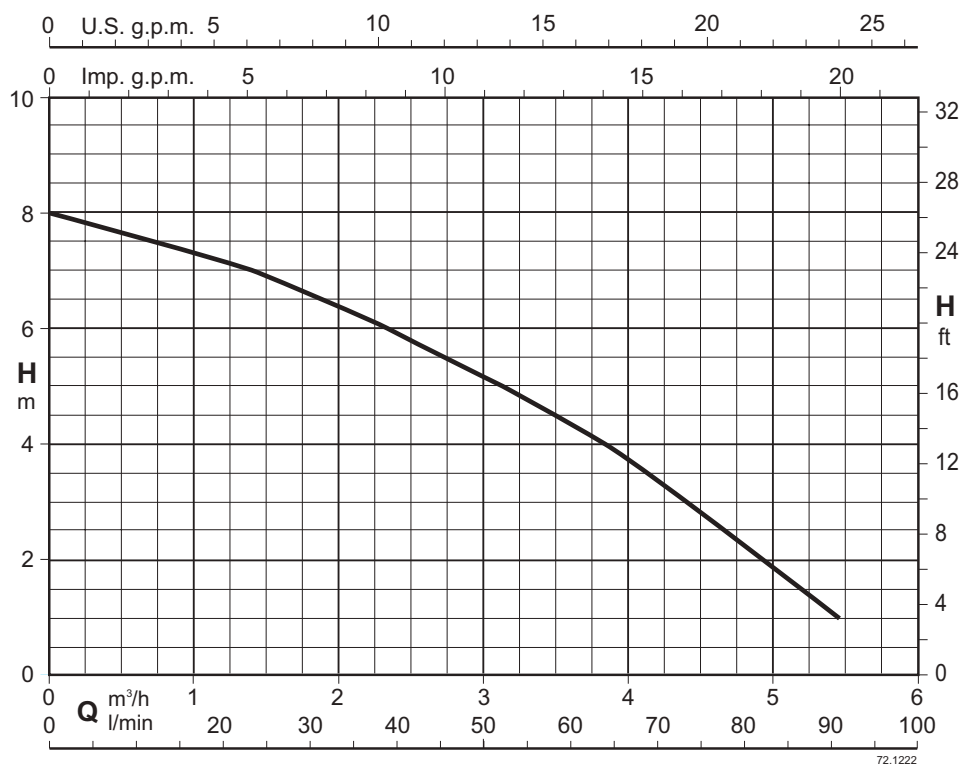


Weight: 6.6 kg

GEOCOMP



Q m ³ /h	0	1,2	2,4	3,6	4,8	5,4
Q l/min	0	20	40	60	80	90
H m	8	7,1	5,9	4,3	2,2	1,1



Automatic waste water lifting station

GEOCOMP



Construction

This macerating pumping system has been designed to pump away the waste water from WC, washbasin, bidet and shower.

The GEOCOMP macerating system is installed in a case specifically designed for horizontal outlet spigots.

Installed and used correctly, this unit will give consistent and reliable service.

GEOCOMP is provided with flexible sleeves, elbow, metal hose clips.



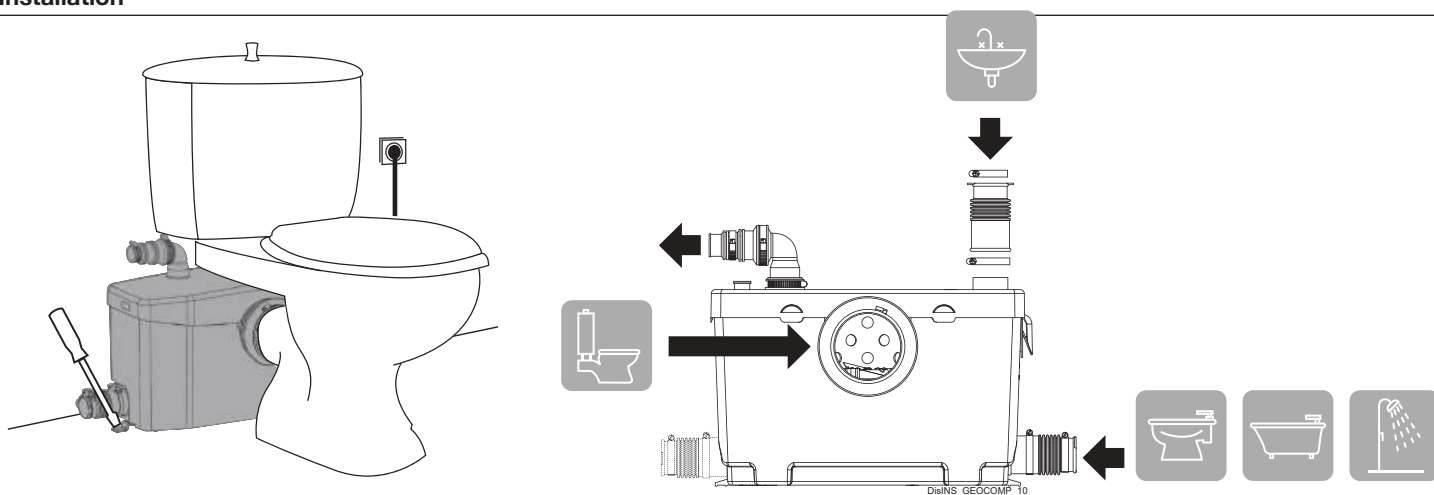
Applications

GEOCOMP can be used for drains from: WCs, washbasins, bidets, bathtubs, showers.

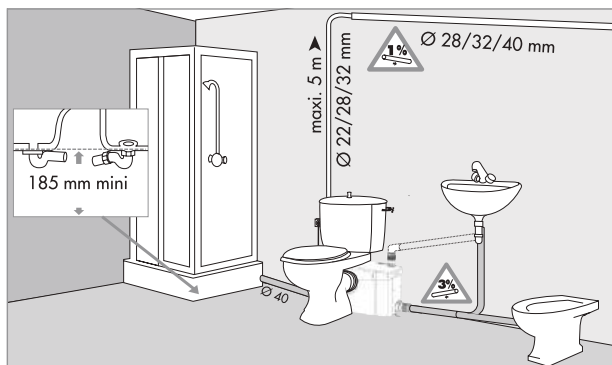
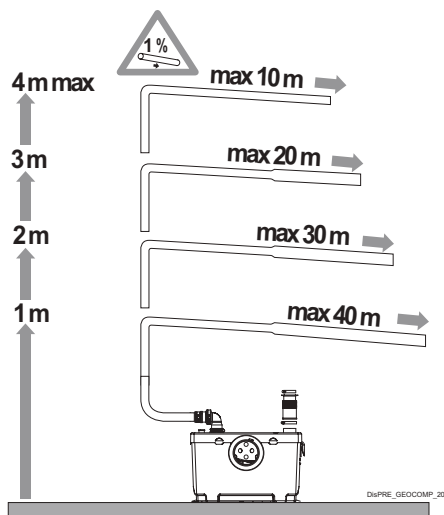
Operating conditions

Voltage: 220-240 V
 Frequency: 50 Hz
 Degree of protection: IP44
 Maximum power rating: 400 W
 Maximum current consumption: 1,9 A
 Vertical pumping: max. 4 m
 Liquid temperature up to 35° C.

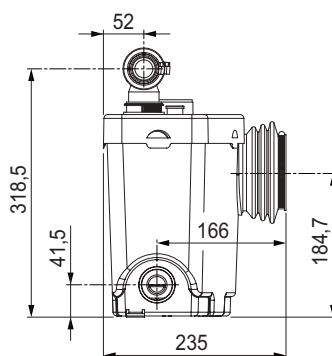
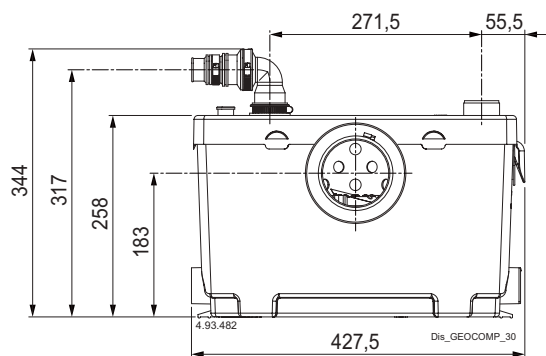
Installation



Performance



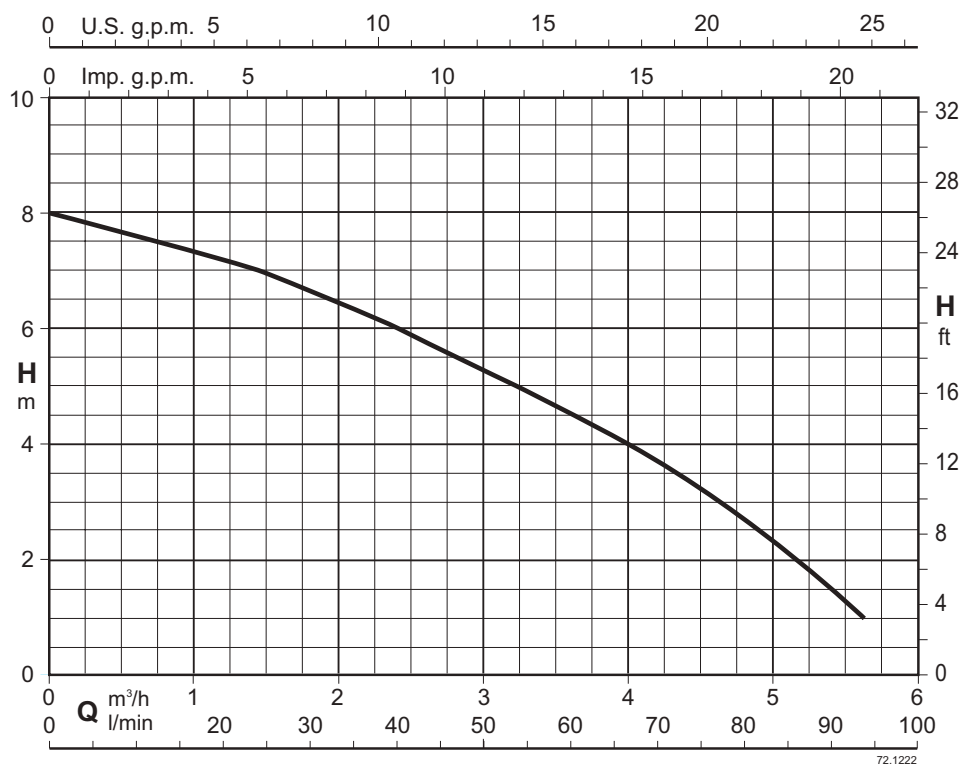
Dimensions and weights



Weight: 6.6 kg



Q m ³ /h	0	1,2	2,4	3,6	4,8	5,6
Q l/min	0	20	40	60	80	93
H m	8	7,1	5,9	4,5	2,7	1



Automatic clear water lifting station

GEOCLEAN



Construction

The system is design to handle the evacuation water from a domestic kitchen sink, dishwasher and washing machine – all working at the same time if required. GEOCLEAN makes the addition of a domestic kitchen or utility room easy even when below or distant from a drain.

The system has a clapet valve and it cannot be used with waste waters. GEOCLEAN is provided with flexible sleeves, elbow, metal hose clips, plugs.



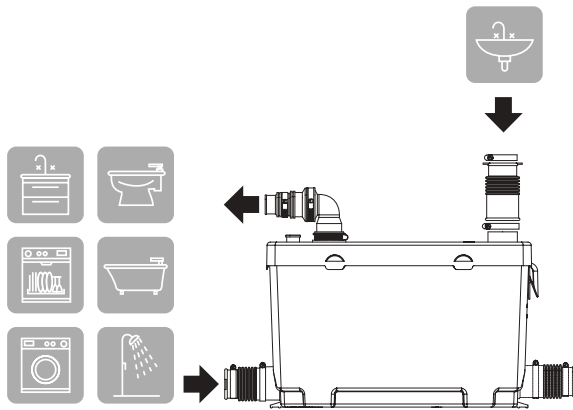
Applications

GEOCLEAN can be used for drains from: washbasin, bidet, bathtub, shower, kitchen sink, dishwasher, washing machine.

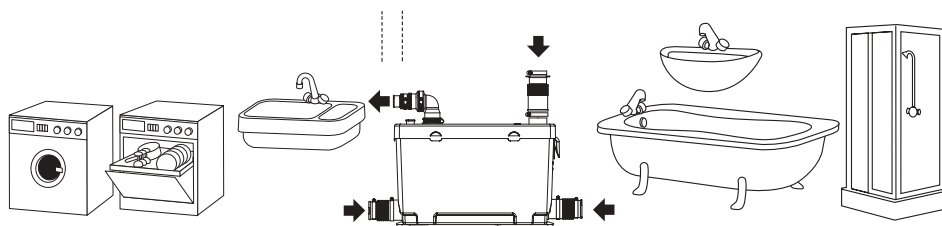
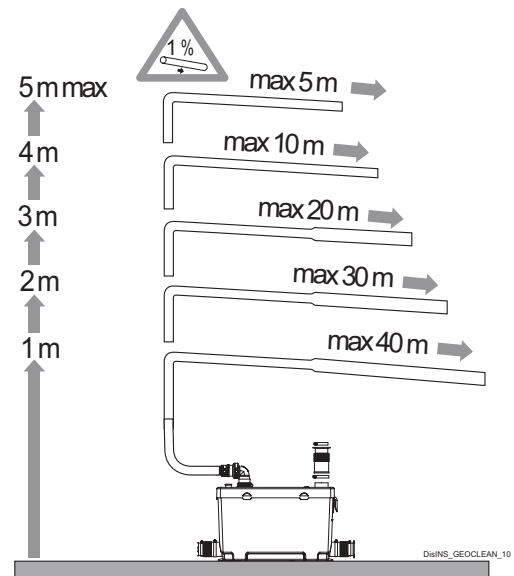
Operating conditions

Voltage: 220-240 V
 Frequency: 50 Hz
 Degree of protection: IP44
 Maximum power rating: 400 W
 Maximum current consumption: 1,9 A
 Vertical pumping: max. 4 m
 Liquid temperature up to 60 °C.

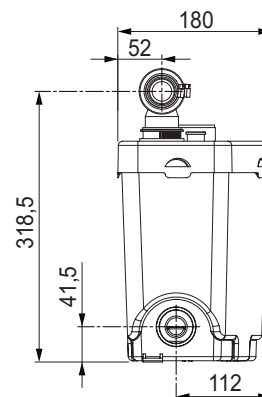
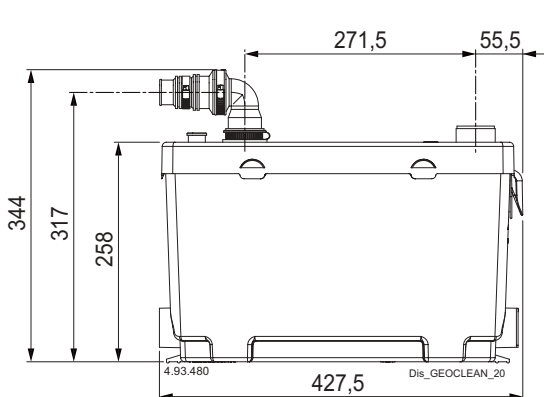
Installation



Performance



Dimensions and weights



Weight: 6.4 kg